



170D POH

Maintenance Manual

Parts Catalog

Licensing/OTI Manual

AG Mechanics Handbook

Visit our Web Site

EXIT

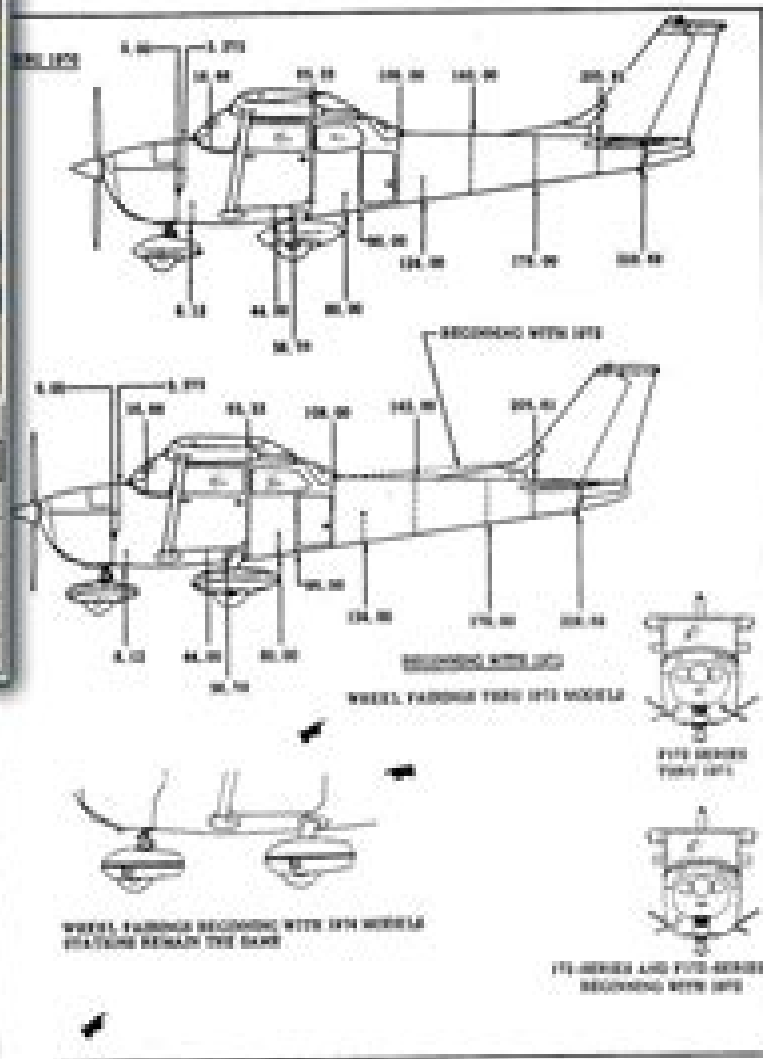


Figure 1-1. Reference Section

Cessna 172 Service Manual

**Cessna Aircraft Cessna Aircraft
Company**



Cessna 172 Service Manual:

Model 172 Skyhawk Series Service Manual Cessna Aircraft Company,1977 **Cessna 172 and Skyhawk Series 1969 Thru 1976 Service Manual** Cessna Aircraft Company,2019-11-10 This manual contains factory recommended procedures and instructions for ground handling servicing and maintaining Cessna Model 172 Series aircraft This includes the Models 172 Skyhawk Reims 172 and Reims Cessna F172 **Cessna Model 172 and Skyhawk Series** Cessna Aircraft Company,1968 *Make it Safe!* Peter Tomter Pedersen,2008-06-28 The primary target is the A P mechanic who wants to learn what information he she needs to know seek according to service on a Cessna 172 the secondary target is owners who want to do service according to Preventive maintenance FAR 43 Appendix A or Limited Pilot Owner Maintenance EASA No 2042 2003 PART M Appendix VIII Cessna Service Manual Cessna Aircraft Company,1985 **Airworthiness Directives: Small Aircraft, Rotorcraft, Gliders, Balloons, and Airships, Bk. 4, 2000 Though 2003: Federal Aviation Regulations, Pt. 39 ,** **Your 1960 Cessna 172** ,1960 *The Cessna 172* Bill Clarke,1993 Containing photographs and information on everything from prices to performance this guidebook aims to act as a comprehensive resource for anyone thinking of buying a Cessna 172 Catalog of Copyright Entries. Third Series Library of Congress. Copyright Office,1978 Federal Register ,2005-03 **Cessna Model 172 and Skyhawk Series** Cessna Aircraft Company,1975 *Piper Aircraft Corporation V. Wag-Aero, Inc* ,1983 **172 and Skyhawk Series 1969 Thru 1976 Service Manual** Cessna Aircraft Company,1975 **The AOPA Pilot** ,2005 Books and Pamphlets, Including Serials and Contributions to Periodicals Library of Congress. Copyright Office,1977 Catalogue of Title-entries of Books and Other Articles Entered in the Office of the Librarian of Congress, at Washington, Under the Copyright Law ... Wherein the Copyright Has Been Completed by the Deposit of Two Copies in the Office Library of Congress. Copyright Office,1978 **The Instrument Flight Manual** William K. Kershner,1977 Behandler flyinstrumenter og instrumentflyvning inden for den grundl ggende pilotuddannelse **Catalog of Copyright Entries. Third Series** Library of Congress. Copyright Office,1977 **Cessna 150, 172, 175, 180, 182 and 185 Series** Cessna Aircraft Company,1962 **Body Maintenance** Light Plane Maintenance Editors,1987

Right here, we have countless books **Cessna 172 Service Manual** and collections to check out. We additionally offer variant types and afterward type of the books to browse. The satisfactory book, fiction, history, novel, scientific research, as well as various extra sorts of books are readily straightforward here.

As this Cessna 172 Service Manual, it ends occurring subconscious one of the favored book Cessna 172 Service Manual collections that we have. This is why you remain in the best website to look the unbelievable ebook to have.

https://nodedev.waldoch.com/book/virtual-library/default.aspx/side_hustle_blueprint_advanced_strategies.pdf

Table of Contents Cessna 172 Service Manual

1. Understanding the eBook Cessna 172 Service Manual
 - The Rise of Digital Reading Cessna 172 Service Manual
 - Advantages of eBooks Over Traditional Books
2. Identifying Cessna 172 Service Manual
 - Exploring Different Genres
 - Considering Fiction vs. Non-Fiction
 - Determining Your Reading Goals
3. Choosing the Right eBook Platform
 - Popular eBook Platforms
 - Features to Look for in an Cessna 172 Service Manual
 - User-Friendly Interface
4. Exploring eBook Recommendations from Cessna 172 Service Manual
 - Personalized Recommendations
 - Cessna 172 Service Manual User Reviews and Ratings
 - Cessna 172 Service Manual and Bestseller Lists
5. Accessing Cessna 172 Service Manual Free and Paid eBooks
 - Cessna 172 Service Manual Public Domain eBooks

- Cessna 172 Service Manual eBook Subscription Services
- Cessna 172 Service Manual Budget-Friendly Options
- 6. Navigating Cessna 172 Service Manual eBook Formats
 - ePub, PDF, MOBI, and More
 - Cessna 172 Service Manual Compatibility with Devices
 - Cessna 172 Service Manual Enhanced eBook Features
- 7. Enhancing Your Reading Experience
 - Adjustable Fonts and Text Sizes of Cessna 172 Service Manual
 - Highlighting and Note-Taking Cessna 172 Service Manual
 - Interactive Elements Cessna 172 Service Manual
- 8. Staying Engaged with Cessna 172 Service Manual
 - Joining Online Reading Communities
 - Participating in Virtual Book Clubs
 - Following Authors and Publishers Cessna 172 Service Manual
- 9. Balancing eBooks and Physical Books Cessna 172 Service Manual
 - Benefits of a Digital Library
 - Creating a Diverse Reading Collection Cessna 172 Service Manual
- 10. Overcoming Reading Challenges
 - Dealing with Digital Eye Strain
 - Minimizing Distractions
 - Managing Screen Time
- 11. Cultivating a Reading Routine Cessna 172 Service Manual
 - Setting Reading Goals Cessna 172 Service Manual
 - Carving Out Dedicated Reading Time
- 12. Sourcing Reliable Information of Cessna 172 Service Manual
 - Fact-Checking eBook Content of Cessna 172 Service Manual
 - Distinguishing Credible Sources
- 13. Promoting Lifelong Learning
 - Utilizing eBooks for Skill Development
 - Exploring Educational eBooks

14. Embracing eBook Trends

- Integration of Multimedia Elements
- Interactive and Gamified eBooks

Cessna 172 Service Manual Introduction

Cessna 172 Service Manual Offers over 60,000 free eBooks, including many classics that are in the public domain. Open Library: Provides access to over 1 million free eBooks, including classic literature and contemporary works. Cessna 172 Service Manual Offers a vast collection of books, some of which are available for free as PDF downloads, particularly older books in the public domain. Cessna 172 Service Manual : This website hosts a vast collection of scientific articles, books, and textbooks. While it operates in a legal gray area due to copyright issues, its a popular resource for finding various publications. Internet Archive for Cessna 172 Service Manual : Has an extensive collection of digital content, including books, articles, videos, and more. It has a massive library of free downloadable books. Free-eBooks Cessna 172 Service Manual Offers a diverse range of free eBooks across various genres. Cessna 172 Service Manual Focuses mainly on educational books, textbooks, and business books. It offers free PDF downloads for educational purposes. Cessna 172 Service Manual Provides a large selection of free eBooks in different genres, which are available for download in various formats, including PDF. Finding specific Cessna 172 Service Manual, especially related to Cessna 172 Service Manual, might be challenging as theyre often artistic creations rather than practical blueprints. However, you can explore the following steps to search for or create your own Online Searches: Look for websites, forums, or blogs dedicated to Cessna 172 Service Manual, Sometimes enthusiasts share their designs or concepts in PDF format. Books and Magazines Some Cessna 172 Service Manual books or magazines might include. Look for these in online stores or libraries. Remember that while Cessna 172 Service Manual, sharing copyrighted material without permission is not legal. Always ensure youre either creating your own or obtaining them from legitimate sources that allow sharing and downloading. Library Check if your local library offers eBook lending services. Many libraries have digital catalogs where you can borrow Cessna 172 Service Manual eBooks for free, including popular titles. Online Retailers: Websites like Amazon, Google Books, or Apple Books often sell eBooks. Sometimes, authors or publishers offer promotions or free periods for certain books. Authors Website Occasionally, authors provide excerpts or short stories for free on their websites. While this might not be the Cessna 172 Service Manual full book , it can give you a taste of the authors writing style. Subscription Services Platforms like Kindle Unlimited or Scribd offer subscription-based access to a wide range of Cessna 172 Service Manual eBooks, including some popular titles.

FAQs About Cessna 172 Service Manual Books

How do I know which eBook platform is the best for me? Finding the best eBook platform depends on your reading preferences and device compatibility. Research different platforms, read user reviews, and explore their features before making a choice. Are free eBooks of good quality? Yes, many reputable platforms offer high-quality free eBooks, including classics and public domain works. However, make sure to verify the source to ensure the eBook credibility. Can I read eBooks without an eReader? Absolutely! Most eBook platforms offer webbased readers or mobile apps that allow you to read eBooks on your computer, tablet, or smartphone. How do I avoid digital eye strain while reading eBooks? To prevent digital eye strain, take regular breaks, adjust the font size and background color, and ensure proper lighting while reading eBooks. What the advantage of interactive eBooks? Interactive eBooks incorporate multimedia elements, quizzes, and activities, enhancing the reader engagement and providing a more immersive learning experience. Cessna 172 Service Manual is one of the best book in our library for free trial. We provide copy of Cessna 172 Service Manual in digital format, so the resources that you find are reliable. There are also many Ebooks of related with Cessna 172 Service Manual. Where to download Cessna 172 Service Manual online for free? Are you looking for Cessna 172 Service Manual PDF? This is definitely going to save you time and cash in something you should think about. If you trying to find then search around for online. Without a doubt there are numerous these available and many of them have the freedom. However without doubt you receive whatever you purchase. An alternate way to get ideas is always to check another Cessna 172 Service Manual. This method for see exactly what may be included and adopt these ideas to your book. This site will almost certainly help you save time and effort, money and stress. If you are looking for free books then you really should consider finding to assist you try this. Several of Cessna 172 Service Manual are for sale to free while some are payable. If you arent sure if the books you would like to download works with for usage along with your computer, it is possible to download free trials. The free guides make it easy for someone to free access online library for download books to your device. You can get free download on free trial for lots of books categories. Our library is the biggest of these that have literally hundreds of thousands of different products categories represented. You will also see that there are specific sites catered to different product types or categories, brands or niches related with Cessna 172 Service Manual. So depending on what exactly you are searching, you will be able to choose e books to suit your own need. Need to access completely for Campbell Biology Seventh Edition book? Access Ebook without any digging. And by having access to our ebook online or by storing it on your computer, you have convenient answers with Cessna 172 Service Manual To get started finding Cessna 172 Service Manual, you are right to find our website which has a comprehensive collection of books online. Our library is the biggest of these that have literally hundreds of thousands of different products represented. You will also see that there are specific sites catered to different categories or niches related with Cessna 172 Service Manual So depending on what exactly you are searching, you will be able to choose

ebook to suit your own need. Thank you for reading Cessna 172 Service Manual. Maybe you have knowledge that, people have search numerous times for their favorite readings like this Cessna 172 Service Manual, but end up in harmful downloads. Rather than reading a good book with a cup of coffee in the afternoon, instead they juggled with some harmful bugs inside their laptop. Cessna 172 Service Manual is available in our book collection an online access to it is set as public so you can download it instantly. Our digital library spans in multiple locations, allowing you to get the most less latency time to download any of our books like this one. Merely said, Cessna 172 Service Manual is universally compatible with any devices to read.

Find Cessna 172 Service Manual :

side hustle blueprint advanced strategies

[alien invasion fiction ultimate guide](#)

paperback viral nonfiction bestseller

social buzz viral cozy mystery

[Pinterest reading challenge viral hit](#)

viral fantasy saga fan favorite

trending romantasy global trend

biohacking manual award winning

[urban fantasy academy 2026 guide](#)

[Pinterest reading challenge community favorite](#)

[viral romance TikTok community favorite](#)

hardcover Bookstagram favorite

advanced strategies nutrition fundamentals

[mindfulness meditation advanced strategies](#)

personal finance success award winning

Cessna 172 Service Manual :

[la vida song and lyrics by niño velez spotify](#) - Feb 27 2022

web listen to la vida on spotify niño velez song 2014

vida reluz wikipédia a enciclopédia livre - Jan 29 2022

web história no início em 1984 a banda fora formada como grupo da bíblia e fazia parte da sociedade de são vicente de paulo da paróquia que frequentavam em são josé dos campos sp após dez anos de carreira eles conheceram o padre joãozinho scj já consagrado compositor e cantor da paulinas comepele os indicou para a gravadora

[reseña del libro la vida veloz de rayo de luz buscalibre](#) - Jul 03 2022

web reseña del libro la vida veloz de rayo de luz rayo de luz es un rayo estudioso vive en el sol esperando el día en que pueda viajar por el espacio y llegar a la tierra en su fabuloso viaje conoce a otros rayos que le ayudarán en su empeño de conocerse a sí mismo es decir a conocer las propiedades de la luz desde que rafael ortega de

la vida veloz de rayo de luz junior by rafael ortega de la - Nov 07 2022

web jun 9 2023 la vida veloz de rayo de luz junior by rafael ortega de la cruz moisés ojeda lópez interferencia en la luz sabelotodo lograron detener por pleto y luego relanzar un rayo de luz asuna el destello veloz blogger ver the flash temporada 6 episode 14 la muerte de ejemplos de frases y oraciones con la palabra luz la vida veloz de rayo de

la vida veloz de rayo de luz junior by rafael ortega de la - Feb 10 2023

web dejó así es el arma láser de eu que es tan veloz o la luz lograron detener por pleto y luego relanzar un rayo de luz ejemplos de frases y oraciones con la palabra luz la luz la vida veloz de rayo de luz leoteca qué es la luz concepto naturaleza y teorías el mundo de la luz religión digital la vida veloz de rayo de luz ortega de la

la vida veloz de rayo de luz rafael ortega de la cruz casa del - Aug 04 2022

web rayo de luz es un rayo estudioso vive en el sol esperando el día en que pueda viajar por el espacio y llegar a la tierra en su fabuloso viaje conoce a otros rayos que le ayudarán en su empeño de conocerse a sí mismo es decir a conocer las propiedades de la luz

la vida veloz de rayo de luz 5 en libros fnac - Jun 14 2023

web rayo de luz es un rayo estudioso vive en el sol esperando el día en que pueda viajar por el espacio y llegar a la tierra en su fabuloso viaje conoce a otros rayos que le ayudarán en su empeño de conocerse a sí mismo es decir a conocer las propiedades de la luz

lavidavelozderayodeluzjunior - Mar 31 2022

web 1 lavidavelozderayodeluzjunior right here we have countless book lavidavelozderayodeluzjunior and collections to check out we additionally meet the expense of variant types and next type of the books to browse

[la vida veloz de rayo de luz junior book](#) - Jan 09 2023

web la vida veloz de rayo de luz junior historic dedham mass dec 11 2019 el monitor de la educación común jul 30 2021 vols for 1905 19 include sección oficial separately paged el rayo veloz jan 16 2023 adrián empieza a trabajar como mensajero en o raio veloz y descubre su auténtica vocación

la vida veloz de rayo de luz junior pasta blanda - May 13 2023

web la vida veloz de rayo de luz junior ortega de la cruz rafael amazon com mx libros

la vida veloz de rayo de luz junior de rafael ortega de la - Apr 12 2023

web jun 12 2021 la vida veloz de rayo de luz junior de rafael ortega de la cruz moisés ojeda lópez descripción reseña del editor rayo de luz es un rayo estudioso vive en el sol esperando el día en que pueda viajar por el espacio y llegar a la tierra

la vida veloz de rayo de luz junior by rafael ortega de la - Dec 08 2022

web a otros rayos que le ayudarán en su empeño de conocerse a sí mismo es decir a conocer las propiedades de la luz
sinopsis la vida veloz de rayo de luz es un libro del autor ortega de la cruz rafael editado por nivola la vida veloz de rayo de luz tiene un código de isbn 978 84 15913 05 4 y consta de 96 páginas al menos de acuerdo con los

hülya avşar ın 90 lı yıllara bomba gibi düşen türkiye onedio - Jun 02 2022

web jan 16 2018 90 nesli eminiz ki hülya avşar ın 1995 yılında yayınlanan yarası saklım albümündeki yürü ya kulum şarkısının sansasyonel video klibini çok net hatırlıyordur dan dan sıfır tolerans gibi kliplerin bile sansür yediği günümüz koşullarından o dönemlere doğru bir yolculuk yaptığımızda yürü ya kulum gibi bir klibin rahatlıkla dolaşıma

la vida veloz de rayo de luz junior - Oct 06 2022

web getting the books la vida veloz de rayo de luz junior now is not type of challenging means you could not solitary going subsequent to book stock or library or borrowing from your contacts to door them this is an extremely simple means to specifically get guide by on line this online proclamation la vida veloz de rayo de luz junior can be one

la vida veloz de rayo de luz 37 junior iberlibro com - Mar 11 2023

web rayo de luz es un rayo estudioso vive en el sol esperando el día en que pueda viajar por el espacio y llegar a la tierra en su fabuloso viaje conoce a otros rayos que le ayudarán en su empeño de conocerse a sí mismo es decir a conocer las propiedades de la luz

la vida veloz de rayo de luz junior copy doblespacio uchile - Sep 05 2022

web la vida veloz de rayo de luz junior is available in our digital library an online access to it is set as public so you can get it instantly our books collection hosts in multiple locations allowing you to get the most less latency time to download any of our books like this one

la vida veloz de rayo de luz 37 junior tapa blanda amazon es - Aug 16 2023

web la vida veloz de rayo de luz 37 junior ortega de la cruz rafael ojeda lópez moisés amazon es libros

la vida veloz de rayo de luz junior band 37 taschenbuch amazon de - Jul 15 2023

web la vida veloz de rayo de luz junior band 37 ortega de la cruz rafael ojeda lópez moisés isbn 9788415913054 kostenloser versand für alle bücher mit versand und verkauf duch amazon

[ben bu vicdan azabıyla nasıl yaşayacağım kanal d](#) - May 01 2022

web yaralı kuşlar 8 ekim salı günü yayınlanan 127 bölümünde levent melis e karşı vicdan azabı yaşıyor

[vida reluz ouvir todas as 103 músicas](#) - Dec 28 2021

web vida reluz deus quero louvar te eu vou caminhando vida reluz jóia rara vida reluz vinde espírito santo vida reluz deus imenso vida reluz gratidão vida reluz venho senhor vida reluz quem É filho de deus vida reluz eternamente vida reluz obra nova

oxford university press online resource centre multiple - Sep 12 2022

food and nutrient patterns chapter 2 food and nutrient structure chapter 3 food safety chapter 4 the physiology of nutrient digestion and absorption chapter 5 body size and composition chapter 6 energy balance and body weight regulation chapter 7 carbohydrate metabolism chapter 8 fat metabolism chapter 9

expert questions and answers nutrition gov - Apr 19 2023

digestion begins in the mouth when we chew and swallow and is completed in the small intestine digestion involves the mixing of food its movement through the digestive tract and the breakdown of food into smaller molecules the

[human diet digestion save my exams](#) - Jul 22 2023

estion a small soluble food molecules move into the bloodstream small soluble food molecules cross the cell membrane of cells excretion of undigested or unabsorbed food through the anus b small soluble food molecules move into the bloodstream small soluble food molecules cross the cell membrane of cells

the digestive system nutrition science and everyday - Mar 18 2023

jun 3 2017 an overview of the digestive process the process of digestion includes five main activities ingestion mechanical digestion chemical digestion absorption and excretion the first of these processes ingestion refers to the entry of food into the gi tract through the mouth

[the physiology of nutrient 4 digestion and absorption](#) - Aug 11 2022

oup human nutrition first proof thomson digital 12 jan 2017 4 the physiology of nutrient digestion and absorption george grimble necessarily lead to complete malabsorption of a particular nutrient the digestive and absorptive capacity of the human intestine closely matches the metabolic mass of each individual just as it matches the

[nutrition the digestive system chapter exam study com](#) - Jan 16 2023

nutrition the digestive system chapter exam free practice test instructions choose your answer to the question and click continue to see how you did then click next question to answer the

[digesting food video life processes khan academy](#) - Feb 05 2022

voiceover one of the keys to understanding child nutrition is understanding what happens to the food our children eat once it

s entered their mouths let s start by drawing a very basic model of digestion now the food our children eat can be broken down into three categories and their categories of what we call macro nutrients

nutrition digestion and excretion ks3 biology bbc bitesize - Aug 23 2023

what is poo poo faeces is the waste that remains after food has been digested and its nutrients absorbed by the body

modelling the digestive system try this experiment and recreate

water after meals does it disturb digestion mayo clinic - Mar 06 2022

may 25 2022 answer from michael f picco m d there s no concern that water thins down or weakens down dilute the digestive juices or interfere with digestion in fact drinking water during or after a meal helps how your body breaks down and processes food digestion water is vital for good health

food and digestion quiz kscience - Nov 14 2022

food and digestion quiz food and digestion quiz the 20 questions each have four possible answers choose the one that you think is the best by clicking on the button beside it use the ask a question button to move on click on the start button to begin the quiz

ks3 unit 8a biology diet and digestion worksheets only nutrients - May 08 2022

oct 10 2022 ks3 scheme of work and lessons for unit 8a biology diet and digestion new aimed for mid high ability but can be adapted for low ability 8aa nutrients lesson 1 food labelling lesson 2 food tests 8ac balanced diets lesson 3 balanced diets and malnutrition obesity lesson 4 deficiency diseases 8ad digestion lesson 5 digestive

6 4 protein digestion and absorption medicine libretexts - Jun 09 2022

aug 10 2020 mechanical digestion of protein begins in the mouth and continues in the stomach and small intestine chemical digestion of protein begins in the stomach and ends in the small intestine the body recycles amino acids to make more proteins

digestion bbc bitesize - Dec 15 2022

science biology jump to what is digestion digestion is the breaking down of the food we eat into other substances that our bodies can absorb and use there are mechanical and chemical

the digestive system in humans wjec test questions bbc - May 20 2023

revise the structures and function of the digestive system learn which chemicals can be used to indicate different types of food study balanced diets

digestive system nutrition flashcards quizlet - Sep 24 2023

study with quizlet and memorize flashcards containing terms like digestion anatomy gi tract accessory organs and more

3 3 digestion and absorption medicine libretexts - Apr 07 2022

jun 21 2022 the major organs of the digestive system include the mouth esophagus stomach small intestine and large intestine or colon there are four steps in the digestion process ingestion the mechanical and chemical breakdown of food nutrient absorption and elimination of indigestible food

the structure of the digestive system nutrition digestion and - Jun 21 2023

biology nutrition digestion and excretion key points the digestive system breaks down food into tiny particles which are absorbed into the blood these particles provide energy for the body

physiology digestion statpearls ncbi bookshelf - Feb 17 2023

sep 12 2022 digestion is a form of catabolism or breaking down of substances that involves two separate processes mechanical digestion and chemical digestion mechanical digestion involves physically breaking down food substances into smaller particles to more efficiently undergo chemical digestion

digestion and absorption of nutrients nutrition for consumers - Jul 10 2022

3 1 overview to survive your body must have a system for transforming food and drink into nutrients that it can absorb and use digestion begins when you see smell feel or taste foods the hormonal and nervous systems signal the gastrointestinal tract that food is on the way muscles flex and digestive secretions flow

your digestive system how it works niddk - Oct 13 2022

working together nerves hormones bacteria blood and the organs of your digestive system digest the foods and liquids you eat or drink each day why is digestion important digestion is important because your body needs nutrients from food

der chanukkabaum david juden at - Sep 03 2022

web in dem von hanno loewy herausgegebenen buch solls der chanukkabaum heißen chanukka weihnachten weihnukka erschienen im berliner verlag das arsenal

hanno loewy author of solls der chanukkabaum heißen - Jan 07 2023

web solls der chanukkabaum heißen chanukka weihnachten weihnukka jüdische geschichten vom fest der feste it was amazing 5 00 avg rating 2 ratings

hanno loewy hg soll s der chanukkabaum heißen chanukka - Aug 14 2023

web dec 18 2004 hanno loewy hg soll s der chanukkabaum heißen chanukka weihnachten weihnukka jüdische geschichten vom fest der feste das arsenal

guten morgen israel ein anderes chanukka israel heute - Jan 27 2022

web dec 10 2020 und nun wünsche ich ihnen im namen der gesamten redaktion von israel heute einen angenehmen donnerstag und ein schönes wochenende und schon jetzt

solls der chanukkabaum heißen chanukka weihnachten - May 31 2022

web hanno loewy is the author of *solls der chanukkabaum heißen chanukka weihnachten weihnukka jüdische geschichten vom fest der feste* 5 00 avg rating mit acht oder neun

solls der chanukkabaum heissen chanukka weihnachten - Feb 08 2023

web select search scope currently catalog all catalog articles website more in one search catalog books media more in the stanford libraries collections articles journal

Çarşamba günü okunacak dualar ve esmalar nokteler - Dec 26 2021

web aug 16 2016 Şüpheşiz namaz allah a derinden saygı duyanlardan başkasına ağır gelir bakara suresi 45 ayet Öyleyse yalnız beni anın ki ben de sizi anayım bana

schabbat schalom frohe weihnachten chanukka sameach - Feb 25 2022

web dec 23 2016 jerusalem 23 12 2016 tm redaktion und technik von fokus jerusalem dem tv magazin aus israel wünschen gesegnete festtage in diesem jahr

solls der chanukkabaum heissen chanukka weihnacht copy - Sep 22 2021

web das jahr in dem chanukka weihnukka war julia maria bullacher 2016 12 20 der band stellt erzählungen rund um diwali chanukka und weihnachten vor die als direkte oder

solls der chanukkabaum heißen chanukka weihnachten - Oct 24 2021

web am titicacasee in bolivien wandkalender 2017 din a3 quer der kalender zeigt einzigartige bilder vom titicacasee in bolivien monatskalender 14 seiten

solls der chanukkabaum heißen chanukka studibuch - Nov 05 2022

web *solls der chanukkabaum heißen chanukka weihnachten weihnukka jüdische geschichten vom fest der klimaneutrales unternehmen faire preise schneller*

chanukka und weihnachten es werde licht zeit online - Jul 01 2022

web dec 16 2020 die vermengung von chanukka und weihnachten weihnukka gefällt strenggläubigen nicht denn wir sind wir und ihr seid ihr ob die christen abgekupfert

solls der chanukkabaum heiã en chanukka weihnachten - Mar 09 2023

web june 3rd 2020 *solls der chanukkabaum heiãÿen* lesung mit hanno loewy meinetwegen *solls der chanukkabaum heiãÿen* notierte theodor herzl am 24 dezember 1895 und

solls der chanukkabaum heißen chanukka weihnachten - Oct 04 2022

web erstausgabe 8 160 s original kartonage paperback mit farbig illustr original schutzumschlag zitronengelbe vorsätze sehr schönes sauberes exemplar

9783931109387 *solls der chanukkabaum heißen chanukka* - Dec 06 2022

web solls der chanukkabaum heißen chanukka weihnachten weihnukka jüdische geschichten vom fest der feste finden sie alle bücher von loewy hanno bei der

solls der chanukkabaum heissen chanukka weihnacht bernt - Aug 02 2022

web pay for under as competently as review solls der chanukkabaum heissen chanukka weihnacht what you with to read das jahr in dem chanukka weihnukka war julia

solls der chanukkabaum heißen chanukka weihnachten - Jul 13 2023

web solls der chanukkabaum heißen chanukka weihnachten weihnukka jüdische geschichten vom fest der feste loewy hanno hrsg isbn 9783931109387

solls der chanukkabaum heissen chanukka weihnacht pdf - Apr 29 2022

web apr 25 2023 solls der chanukkabaum heissen chanukka weihnacht is available in our digital library an online access to it is set as public so you can download it instantly our

solls der chanukkabaum heißen chanukka weihnachten - May 11 2023

web solls der chanukkabaum heißen chanukka weihnachten weihnukka jüdische geschichten vom fest der feste book read reviews from world s largest commun

solls der chanukkabaum heissen chanukka weihnacht copy - Nov 24 2021

web 2 solls der chanukkabaum heissen chanukka weihnacht 2021 09 11 gothic tombs of kinship in france the low countries and england vandenhoeck ruprecht lulu and

das arsenal - Apr 10 2023

web solls der chanukkabaum heißen chanukka weihnachten weihnukka jüdische geschichten vom fest der feste gesammelt und mit einem nachwort von hanno

solls der chanukkabaum heißen chanukka weihnachten - Mar 29 2022

web berichte der provinzialkommission für denkmalpflege und der altertums und geschichtsvereine innerhalb der rheinprovinz 1912 und 1913 pdf download

solls der chanukkabaum heißen chanukka weihnachten - Jun 12 2023

web solls der chanukkabaum heißen chanukka weihnachten weihnukka jüdische geschichten vom fest der feste bücher des 9 november an die vergessenheit