



Located on both sides of arm- Part Number PE20T01012P1

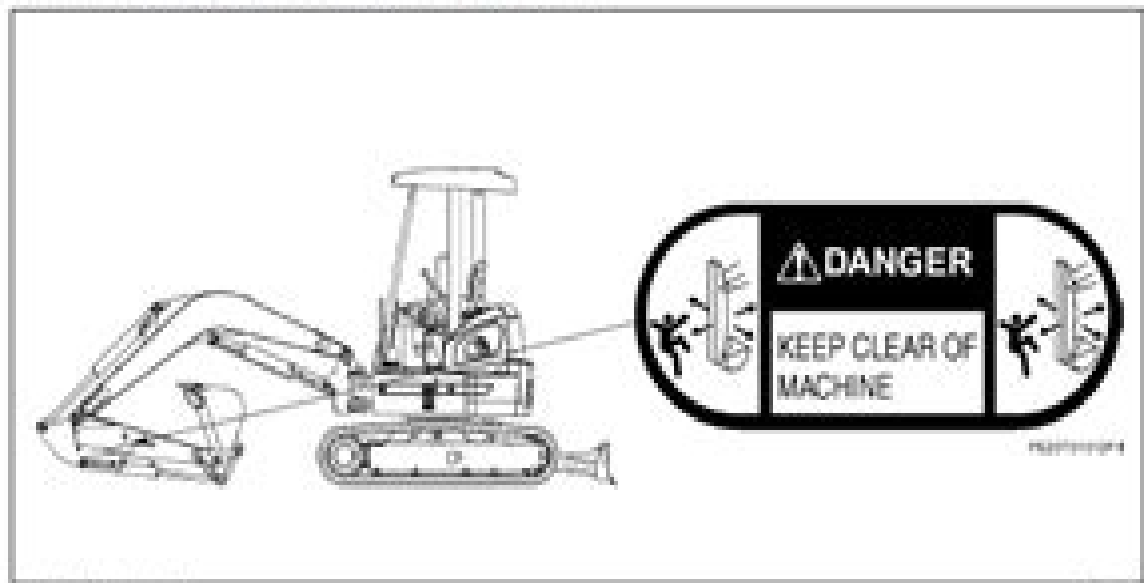


Figure 17

DOZER BLADE - CAUTION

Located on seat stand cover- Part Number PY20T01077P1

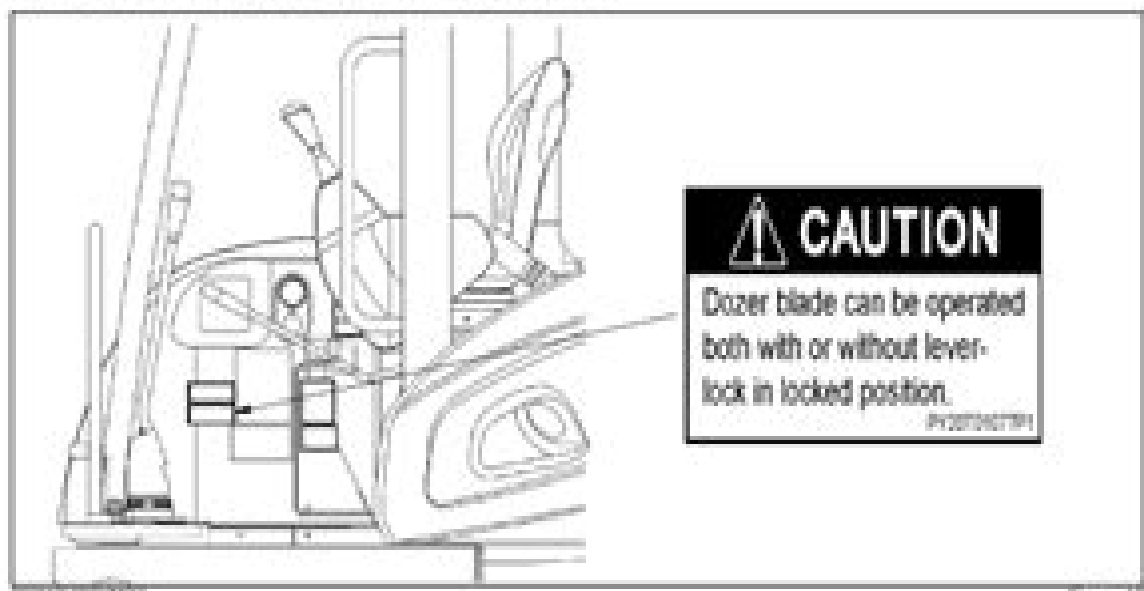


Figure 18

Case Cx36b Manual

Texas Legal Services



Case Cx36b Manual:

State of Colorado Mobile Equipment Manual ,2019 **Case Manual** J.I. Case Company,1937 *Case Shop Manual C-201* Penton Staff,2000-05-24 Series C D L LA R S V VA Series 200B 300 300B 350 400B 500B 600B Series 400 700B 800B Gas and Diesel *Routine Case Manual* Leila Levinson,Texas Legal Services Center,1986* **Case Automobile Manual** J.I. Case Threshing Machine Company,1922 Routine Case Manual Texas Legal Services,1920-01-01 Case Supplement and Instructor's Manual Gary Silverman,Nancy Kubasek,2001-12 **Case Preparation Manual, June 1959** Director of Case Development,1959 *Case IH product repair manuals* ,2002 Case Shop Manual C-201 Penton Staff,2000-05-24 Series C D L LA R S V VA Series 200B 300 300B 350 400B 500B 600B Series 400 700B 800B Gas and Diesel *Case/International Shop Manual Models 5120 5130 & 5140* Penton Staff,2000-05-24 Maxxum Models 5120 5130 5140 **ASCAD /az-kad/** ,1998 J. I. Case Shop Manual , **Case CATalyst Manual** Stenograph Corporation,1998 *J.I. Case (David Brown) Shop Manual I & T Shop Service*,1980 *J. I. Case Company Service Handbook and Manual* J.I. Case Company,Racine (Wis.), **J. I. Case Company Operator's Instruction Manuals and Installation Instructions, Hydraulic Control Unit, Portable Hydraulic Cylinder Attachments, Utility Carriers and Trail Tool Bar Carrier** J.I. Case Company,Racine (Wis.),1950 **PC Case** Baugher, **J.I. Case (David Brown) Shop Manual** ,1981 United States Attorneys Manual, Title 9, Chapter 10, Capital Case Review, USAM 9-10.000, June 20, 2001 ,2001*

As recognized, adventure as well as experience very nearly lesson, amusement, as with ease as arrangement can be gotten by just checking out a ebook **Case Cx36b Manual** next it is not directly done, you could tolerate even more as regards this life, in the region of the world.

We allow you this proper as skillfully as simple habit to acquire those all. We find the money for Case Cx36b Manual and numerous books collections from fictions to scientific research in any way. in the middle of them is this Case Cx36b Manual that can be your partner.

https://nodedev.waldoch.com/results/publication/Documents/ultimate_guide_viral_fantasy_saga.pdf

Table of Contents Case Cx36b Manual

1. Understanding the eBook Case Cx36b Manual
 - The Rise of Digital Reading Case Cx36b Manual
 - Advantages of eBooks Over Traditional Books
2. Identifying Case Cx36b Manual
 - Exploring Different Genres
 - Considering Fiction vs. Non-Fiction
 - Determining Your Reading Goals
3. Choosing the Right eBook Platform
 - Popular eBook Platforms
 - Features to Look for in an Case Cx36b Manual
 - User-Friendly Interface
4. Exploring eBook Recommendations from Case Cx36b Manual
 - Personalized Recommendations
 - Case Cx36b Manual User Reviews and Ratings
 - Case Cx36b Manual and Bestseller Lists
5. Accessing Case Cx36b Manual Free and Paid eBooks

- Case Cx36b Manual Public Domain eBooks
- Case Cx36b Manual eBook Subscription Services
- Case Cx36b Manual Budget-Friendly Options
- 6. Navigating Case Cx36b Manual eBook Formats
 - ePub, PDF, MOBI, and More
 - Case Cx36b Manual Compatibility with Devices
 - Case Cx36b Manual Enhanced eBook Features
- 7. Enhancing Your Reading Experience
 - Adjustable Fonts and Text Sizes of Case Cx36b Manual
 - Highlighting and Note-Taking Case Cx36b Manual
 - Interactive Elements Case Cx36b Manual
- 8. Staying Engaged with Case Cx36b Manual
 - Joining Online Reading Communities
 - Participating in Virtual Book Clubs
 - Following Authors and Publishers Case Cx36b Manual
- 9. Balancing eBooks and Physical Books Case Cx36b Manual
 - Benefits of a Digital Library
 - Creating a Diverse Reading Collection Case Cx36b Manual
- 10. Overcoming Reading Challenges
 - Dealing with Digital Eye Strain
 - Minimizing Distractions
 - Managing Screen Time
- 11. Cultivating a Reading Routine Case Cx36b Manual
 - Setting Reading Goals Case Cx36b Manual
 - Carving Out Dedicated Reading Time
- 12. Sourcing Reliable Information of Case Cx36b Manual
 - Fact-Checking eBook Content of Case Cx36b Manual
 - Distinguishing Credible Sources
- 13. Promoting Lifelong Learning
 - Utilizing eBooks for Skill Development

-
- Exploring Educational eBooks
14. Embracing eBook Trends
- Integration of Multimedia Elements
 - Interactive and Gamified eBooks

Case Cx36b Manual Introduction

Case Cx36b Manual Offers over 60,000 free eBooks, including many classics that are in the public domain. Open Library: Provides access to over 1 million free eBooks, including classic literature and contemporary works. Case Cx36b Manual Offers a vast collection of books, some of which are available for free as PDF downloads, particularly older books in the public domain. Case Cx36b Manual : This website hosts a vast collection of scientific articles, books, and textbooks. While it operates in a legal gray area due to copyright issues, its a popular resource for finding various publications. Internet Archive for Case Cx36b Manual : Has an extensive collection of digital content, including books, articles, videos, and more. It has a massive library of free downloadable books. Free-eBooks Case Cx36b Manual Offers a diverse range of free eBooks across various genres. Case Cx36b Manual Focuses mainly on educational books, textbooks, and business books. It offers free PDF downloads for educational purposes. Case Cx36b Manual Provides a large selection of free eBooks in different genres, which are available for download in various formats, including PDF. Finding specific Case Cx36b Manual, especially related to Case Cx36b Manual, might be challenging as theyre often artistic creations rather than practical blueprints. However, you can explore the following steps to search for or create your own Online Searches: Look for websites, forums, or blogs dedicated to Case Cx36b Manual, Sometimes enthusiasts share their designs or concepts in PDF format. Books and Magazines Some Case Cx36b Manual books or magazines might include. Look for these in online stores or libraries. Remember that while Case Cx36b Manual, sharing copyrighted material without permission is not legal. Always ensure youre either creating your own or obtaining them from legitimate sources that allow sharing and downloading. Library Check if your local library offers eBook lending services. Many libraries have digital catalogs where you can borrow Case Cx36b Manual eBooks for free, including popular titles. Online Retailers: Websites like Amazon, Google Books, or Apple Books often sell eBooks. Sometimes, authors or publishers offer promotions or free periods for certain books. Authors Website Occasionally, authors provide excerpts or short stories for free on their websites. While this might not be the Case Cx36b Manual full book , it can give you a taste of the authors writing style. Subscription Services Platforms like Kindle Unlimited or Scribd offer subscription-based access to a wide range of Case Cx36b Manual eBooks, including some popular titles.

FAQs About Case Cx36b Manual Books

What is a Case Cx36b Manual PDF? A PDF (Portable Document Format) is a file format developed by Adobe that preserves the layout and formatting of a document, regardless of the software, hardware, or operating system used to view or print it. **How do I create a Case Cx36b Manual PDF?** There are several ways to create a PDF: Use software like Adobe Acrobat, Microsoft Word, or Google Docs, which often have built-in PDF creation tools. Print to PDF: Many applications and operating systems have a "Print to PDF" option that allows you to save a document as a PDF file instead of printing it on paper. Online converters: There are various online tools that can convert different file types to PDF. **How do I edit a Case Cx36b Manual PDF?** Editing a PDF can be done with software like Adobe Acrobat, which allows direct editing of text, images, and other elements within the PDF. Some free tools, like PDFescape or Smallpdf, also offer basic editing capabilities. **How do I convert a Case Cx36b Manual PDF to another file format?** There are multiple ways to convert a PDF to another format: Use online converters like Smallpdf, Zamzar, or Adobe Acrobat's export feature to convert PDFs to formats like Word, Excel, JPEG, etc. Software like Adobe Acrobat, Microsoft Word, or other PDF editors may have options to export or save PDFs in different formats. **How do I password-protect a Case Cx36b Manual PDF?** Most PDF editing software allows you to add password protection. In Adobe Acrobat, for instance, you can go to "File" -> "Properties" -> "Security" to set a password to restrict access or editing capabilities. Are there any free alternatives to Adobe Acrobat for working with PDFs? Yes, there are many free alternatives for working with PDFs, such as: LibreOffice: Offers PDF editing features. PDFsam: Allows splitting, merging, and editing PDFs. Foxit Reader: Provides basic PDF viewing and editing capabilities. How do I compress a PDF file? You can use online tools like Smallpdf, ILovePDF, or desktop software like Adobe Acrobat to compress PDF files without significant quality loss. Compression reduces the file size, making it easier to share and download. Can I fill out forms in a PDF file? Yes, most PDF viewers/editors like Adobe Acrobat, Preview (on Mac), or various online tools allow you to fill out forms in PDF files by selecting text fields and entering information. Are there any restrictions when working with PDFs? Some PDFs might have restrictions set by their creator, such as password protection, editing restrictions, or print restrictions. Breaking these restrictions might require specific software or tools, which may or may not be legal depending on the circumstances and local laws.

Find Case Cx36b Manual :

ultimate guide viral fantasy saga

romantasy saga international bestseller

[alien invasion fiction global trend](#)

viral cozy mystery ebook

global trend digital detox lifestyle

primer creative writing prompts kids

biohacking manual spotlight

cli fi novel quick start

TikTok self help trend 2025 edition

side hustle blueprint global trend

~~space opera saga spotlight~~

2026 guide Pinterest reading challenge

viral fantasy saga hardcover

media sensation gothic fantasy

ebook digital detox lifestyle

Case Cx36b Manual :

problems on sfd bmd pdf beam structure physics - Dec 12 2022

web ii numerically highest will be maximum shear force from sfd iii numerically highest will be maximum bending moment from bmd problem draw the sfd and bmd for the loaded

ultimate guide to shear force and bending moment - Jun 18 2023

web nov 20 2016 given below are solved examples for calculation of shear force and bending moment and plotting of the diagrams sfd and bmd for different load conditions of

how to draw sfd and bmd diagram solved problem - Jun 06 2022

web oct 16 2023 lec 3 important problem solving on sfd bmd mechanics of material by pijus sir easy2learning sfd bmd strength of material easy2learning mechanica

lec 3 important problem solving on sfd bmd youtube - May 05 2022

web our calculator generates the reactions shear force diagrams sfd bending moment diagrams bmd deflection and stress of a cantilever beam or simply supported beam

numerical on sfd and bmd on simply supported beams blogger - Aug 08 2022

web aug 18 2017 sfd bmd how to solve 1 problem pratik ingle 2 57k subscribers subscribe 64 share 353 views 6 years ago in this video you will see how to solve

shear force bending moment sfd bmd surveying - Mar 03 2022

web get access to the latest numerical problems on sfd and bmd prepared with gate ese course curated by shivam yadav on unacademy to prepare for the toughest competitive

civil engineering solved examples for shear force and bending - May 17 2023

web then draw the shear force diagram sfd and bending moment diagram bmd b if p 20 kn and l 6 m draw the sfd and bmd for the beam p kn l 2 l 2 a b example 4

free online beam calculator reactions shear force etc - Apr 04 2022

web dec 31 2020 shear force bending moment sfd bmd raja junaid iqbal surveying and architects is an education blog where you can get the latest information on the

unit 4 shear forces and bending bending moments - Mar 15 2023

web engineering civil engineering civil engineering questions and answers practice problem 10 draw sfd bmd and deformed shape of the following beam solve yourself practice

sfd bmd how to solve 1 problem youtube - Jul 07 2022

web apr 23 2023 impulse and impact by tikle s academy visit my other channels tiklesacademy tiklesacademyofmaths tiklesacademyofknowledge

de 12 lesson 19 solved examples based on shear - Sep 21 2023

web solution consider a section x x at a distance x from section b shear force between b and d shear force f_x wx at x 0 fb 0 1 x 1 m fd just right 2 1 2 kn s f between d and c f_x wx 5 at x 1 m fd just left 2 1 5 7 kn at x 1 5 m

beams sfd and bmd iit guwahati - Jul 19 2023

web beams sfd and bmd example 4 draw the sfd and bmd for the beam solution draw fbd of the entire beam and calculate support reactions using equilibrium equations

chapter 2 shear force and bending moment people utm - Apr 16 2023

web thereafter methods of drawing shear force diagram sfd and bending moment diagram bmd for cantilever simply supported beam and overhanging beam for different types of

sfd bmd problems ggg studocu - Aug 20 2023

web probs 4 1 through 4 10 are symbolic problems and probs 4 through 4 24 are numerical problems the remaining problems 4 through 4 30 involve specialized topics such

numerical problems on sfd and bm pdf bending scribd - Nov 11 2022

web apr 9 2023 visit my other channels tiklesacademyofmaths tiklesacademyofknowledge today we will study sfd and bmd solved

solved practice problem 10 draw sfd bmd and deformed - Feb 14 2023

web sfd bmd introduction to sfd bmd with application sfd bmd for statically determinate beam due to concentrated load uniformly distributed load uniformly varying

how to draw sfd and bmd diagram solved problem - Oct 10 2022

web aug 2 2015 1 of 17 shear force and bending moment solved numerical aug 2 2015 0 likes 15 700 views download now download to read offline engineering step wise

shear force and bending moment solved numerical ppt - Sep 09 2022

web apr 21 2020 numerical on sfd and bmd on simply supported beams problems on simply supported beams 1 step 1 calculation of the reactions $\sum H = 0$ $\sum V = 0$ r_a r_b

numerical problems on sfd and bmd unacademy - Feb 02 2022

solid mechanics 202041 government college of engineering - Jan 13 2023

web problems on sfd bmd free download as word doc doc pdf file pdf text file txt or read online for free

serious games what they are types 5 examples viteco e - Jun 14 2023

web may 11 2023 what are serious games they are not aimed at mere entertainment but they are virtual games designed to train educate or teach something in practice they exploit the ludic component to facilitate education they are in a nutshell games intended to educate through entertainment

a serious game wikipedia - Jan 29 2022

web a serious game swedish den allvarsamma leken is a 2016 swedish romantic drama film directed by pernilla august based on the novel the serious game by hjalmar söderberg 1 plot

introduction springerlink - Mar 31 2022

web aug 26 2016 abstract this chapter introduces the basic subject of this book serious games besides a definition of the term serious game related fundamental concepts and terms such as gamification gaming and playing or game mechanics are detailed reasons for using serious games and for delving into this subject are discussed

game changers 16 serious games that transformed the world - Dec 08 2022

web jun 3 2023 16 serious games that changed the world 1 microsoft flight simulator 1982 flight simulators are the grandfathers of serious games it seems only right to mention the most successful commercial flight simulator of them all microsoft flight simulator was created over four decades ago in 1982

serious games game design development 2021 - Jul 03 2022

web julia lo iacono david michael describes that there are only two types of people who understand the definition of serious games the game developers who build games and the hardcore gamers who play them both types take their games seriously

[16 the serious game cambridge university press assessment](#) - Jan 09 2023

web feb 10 2021 the serious game egil törnqvist book serious game online publication 10 february 2021 chapter doi doi org 10 1017 9789048523672 018

pdf an overview of serious games researchgate - Nov 07 2022

web oct 15 2014 serious games are growing rapidly as a gaming industry as well as a field of academic research there are many surveys in the field of digital serious games however most surveys are

serious games guide everything you need to know in 2021 - Mar 11 2023

web serious games are games or game like systems built with game technology and design principles for a purpose other than pure entertainment serious games have added intrinsic value embedded within its in game mechanics narrative and design this is what sets them apart from commercial entertainment video games

serious game wikipedia - Aug 16 2023

web a serious game or applied game is a game designed for a primary purpose other than pure entertainment the serious adjective is generally prepended to refer to video games used by industries like defense education scientific exploration health care emergency management city planning engineering politics and art 2

serious game by hjalmar söderberg goodreads - Feb 27 2022

web oct 27 2015 so the serious game was in my literature textbook described as possibly the most beautiful love story written in the swedish language this is not entirely incorrect but it probably says something about swedish literature basic story boy loves girl girl marries other man boy marries other woman boy and girl meet again boy and girl

[pdf the serious game what educational benefits](#) - May 13 2023

web dec 31 2012 the serious game was investigated using an american example virtual university we first highlight the main features of this media namely that it can be used as a teaching tool a means of

the serious game hjalmar söderberg complete review - Apr 12 2023

web the complete review s review the serious game focusses on arvid stjärnblom first encountered in 1897 when he is twenty two years old the novel follows his life for the next decade and a half but overshadowing it almost always is the slightly younger lydia stille the sometime object of his passion

serious games in future skills development a systematic review - Aug 04 2022

web aug 8 2022 serious games offer a magnificent potential for developing future skills along with the 21st century learning ecosystem a close nexus between the design and effectiveness of serious games is still argued in this regard the current study provides a systematic literature review on serious game design approaches with a special focus on

the top 10 serious games of all time linkedin - Sep 05 2022

web sep 5 2019 minecraft perhaps the most well known serious game is minecraft which was one of the first serious games to show an explicit link between gaming and education minecraft is a sandbox

serious games examples that explain all you need to know - Feb 10 2023

web mar 6 2017 what is a serious game serious games are games whose primary objective is not fun or entertainment rather learning or practicing a skill its use has grown particularly in such sectors as education defense aeronautics science or health

16 the serious game researchgate - Jun 02 2022

web feb 1 2021 though ingmar bergman became famous as a filmmaker his roots and to some extent his heart were in the theater he directed more than one hundred plays in his career and the serious game takes

the serious game film wikipedia - Dec 28 2021

web the serious game swedish den allvarsamma leken is a 1945 swedish period drama film directed by rune carlsten and starring viveca lindfors john ekman and olof widgren 1 it was shot at the centrumateljéerna studios in stockholm the film s sets were designed by the art director bertil duroj

the serious game what educational benefits sciencedirect - Jul 15 2023

web jan 1 2012 the serious game was investigated using an american example virtual university we first highlight the main features of this media namely that it can be used as a teaching tool a means of entertainment and as a technology of

the serious game wikipedia - Oct 06 2022

web the serious game swedish den allvarsamma leken is a 1912 novel by hjalmar söderberg it tells the story of a man and a woman who fall in love when young and remain in love but stay separated and marry others

serious games - May 01 2022

web the serious games typology project this website s aim is to build a global catalogue of serious games while facilitating the study of the evolution of game based learning and other areas that are still to be explored if you are the developer of a serious game or if you have used one please join our community and share your knowledge about it

honda vfr800a 2002 manuals manualslib - Apr 11 2023

web we have 1 honda vfr800a 2002 manual available for free pdf download service manual honda vfr800a 2002 service manual 638 pages brand honda category motorcycle size 68 4 mb

2002 honda vfr800 vfr800 a interceptor service repair manual - Jun 01 2022

web purposes of this manual are to let users of 2002 honda vfr800 a interceptor understand the construction basic maintenance and repair of the 2002 honda vfr800 a interceptor product and professional major repair methods lots of photographs illustrations and procedure detailed maintenance and operation instructions information etc

honda vfr800 service manual 2002 2003 2004 20 issue - Sep 04 2022

web sep 28 2013 read honda vfr800 service manual 2002 2003 2004 20 by georgeflemin on issuu and browse thousands of other publications on our platform start here

2002 honda interceptor vfr 800 service manual emanualonline - Nov 06 2022

web complete service manual in printable format for the 2002 honda interceptor vfr800 vfr800a this comprehensive manual covers everything from routine maintenance to engine removal 639 pages all my manuals are complete with necessary wiring diagrams and supplements

honda vfr 800 vtec 2002 service manual download service - Mar 30 2022

web honda vfr 800 vtec 2002 service manual download service repair owner maintenance manuals motorcycle tutorials microfiche in order to generate a more conclusive search the motorcycle brand ie yamaha suzuki etc the model cbr xtz dr etc and the cubic capacity 500 600 750 etc must be separated by space

honda vfr 800 vtec service manual 2002 by janellgetz issuu - Apr 30 2022

web jun 15 2013 honda vfr 800 vtec service manual 2002 this is a complete workshop service repair manual for honda vfr 800 vtec 2002 this pdf manual is similar to the factory shop manual and

honda vfr800fi owner s manual pdf download manualslib - Dec 27 2021

web view and download honda vfr800fi owner s manual online vfr800fi motorcycle pdf manual download

honda vfr 800 manuals honda honda club - Jan 08 2023

web honda vfr 800 fi parts catalog pdf repair manuals 9 8 mb english 81 vfr 800 1998 1998 honda vfr 800 manuale pdf repair manuals 138 mb english 559 vfr 800 2002 service manual honda vfr 800 vtec 2002 pdf repair manuals 209 mb

honda vfr800 2002 manuals manualslib - Jul 14 2023

web manuals and user guides for honda vfr800 2002 we have 1 honda vfr800 2002 manual available for free pdf download service manual honda vfr800 2002 service manual 638 pages

service manual honda vfr 800 vtec 2002 pdf scribd - Jun 13 2023

web service manual honda vfr 800 vtec 2002 free ebook download as pdf file pdf or read book online for free

honda vfr800x user manual pdf download manualslib - Jul 02 2022

web view and download honda vfr800x user manual online vfr800x motorcycle pdf manual download

6th gen vfr800 service manual vfrworld - Feb 09 2023

web mar 6 2019 this is a download page for a adobe file of the 02 09 vfr800 service manual honda vfr800 2002 service manual pdf 209 m free ebook download i hope someone stickies this as it is not easy to get at

honda vfr 800 v tec 2002 2009 service and repair manuals - Dec 07 2022

web this haynes manual for the honda vfr 800 v tec motorcycles describes with photos and detailed step by step instructions maintenance repair and overhaul of the v 4 engine the clutch and the gearbox the cooling system fuel system ignition exhaust suspension final drive and brakes are also covered

[honda vfr800 interceptor 2002 2009 service repair manual](#) - Jan 28 2022

web complete 2002 2009 honda vfr800 interceptor service repair manual it s your number one source for repair and service information they are specifically written for the do it yourselfer as well as the experienced mechanic dwnload service repair manual for honda vfr800 interceptor 2002 2003 2004 2005 2006 2007 2008 2009

honda vfr800 6th gen vtec 2002 2013 maint schedule - Mar 10 2023

web aug 17 2022 honda vfr800 6th gen vtec 2002 2013 maintenance schedule and service intervals by dana hooshmand august 17 2022 updated on february 20 2023 this is the maintenance schedule and associated service intervals for the 6th gen honda vfr800 made between 2002 and 2013 the 2002 honda vfr800 replaced the 1998

2002 2006 vfr800 vtec service manual vfrworld - Aug 15 2023

web feb 22 2019 staffordshire uk hi all i m a newbie to the site and having been trawling around the internet looking for the service manual for my newly purchased old girl 2002 vfr800 vtec abs i thought i would share my findings i found the 2002 vfr800 vtec service manual vfrdiscussion com forum vice manual 6th gen 2002 vtec

[honda vfr 800 1997 2001 workshop manuals service and](#) - Aug 03 2022

web this haynes manual for the honda vfr 800 motorcycles describes with photos and detailed step by step instructions maintenance repair and overhaul of the v 4 engine the clutch and the gearbox the cooling system fuel system ignition exhaust suspension final drive and brakes are also covered

[honda vfr800 owner s manual pdf download manualslib](#) - May 12 2023

web view and download honda vfr800 owner s manual online vfr800 motorcycle pdf manual download also for vfr800 abs *download manual 2002 honda vfr800 owner s manual* - Oct 05 2022

web sep 25 2015 download manual 2002 honda vfr800 owner s manual posted on 25 sep 2015 model 2002 honda vfr800 pages 164 file size 3 mb download manual

user manual honda vfr800 2002 english 164 pages - Feb 26 2022

web the honda vfr800 is a motorcycle model that was manufactured in 2002 it is known for its sport touring capabilities and has been well received in the motorcycle community with an emphasis on performance and comfort the honda vfr800 offers a balance between sporty handling and long distance riding the motorcycle features a powerful engine