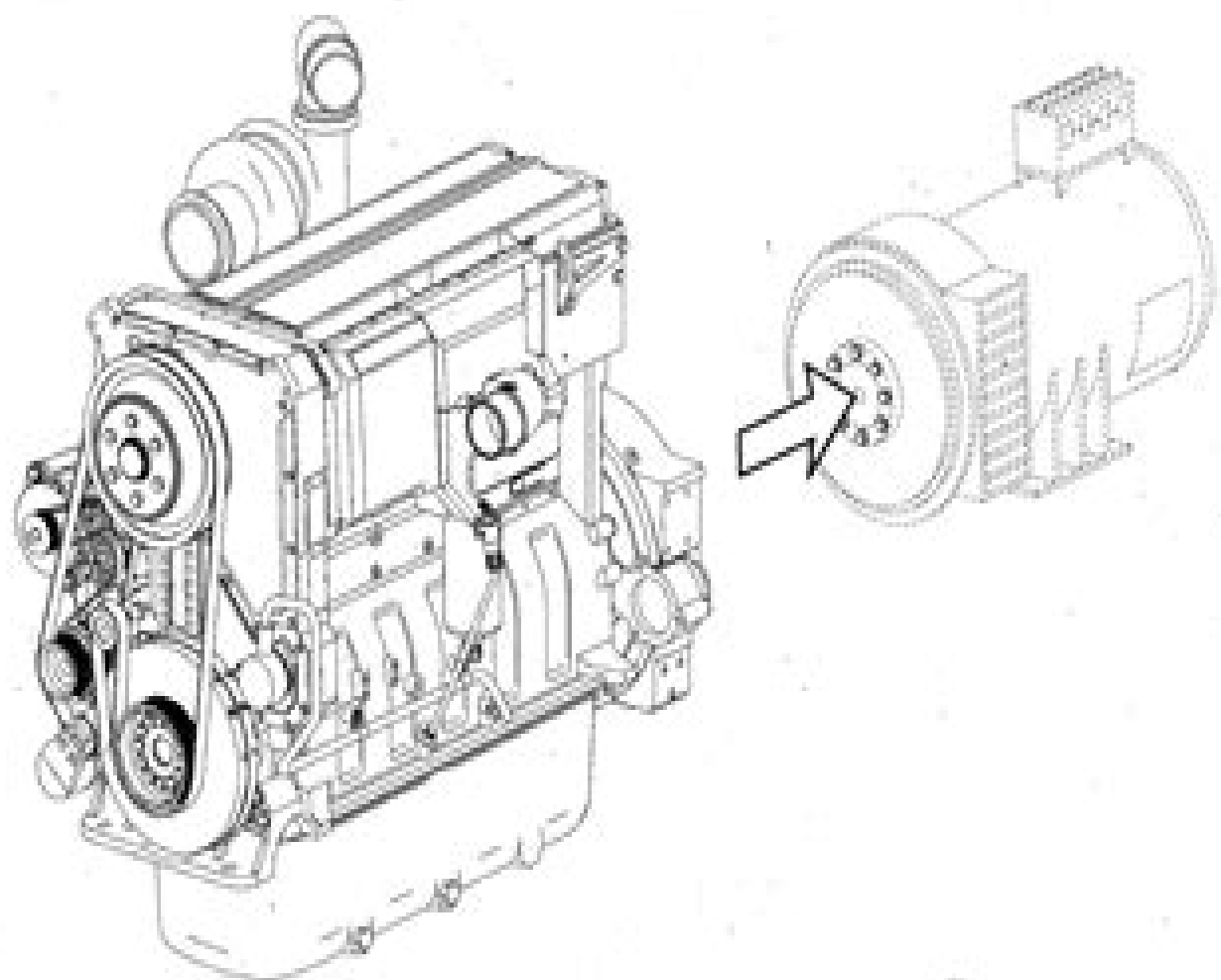


# Operation and Maintenance Manual Industrial and Power Generation QSX15 Engines



# Cummings Qsx Manual

**Liyong Dong**



## **Cummings Qsx Manual:**

## Unveiling the Magic of Words: A Review of "**Cummings Qsx Manual**"

In a global defined by information and interconnectivity, the enchanting power of words has acquired unparalleled significance. Their ability to kindle emotions, provoke contemplation, and ignite transformative change is truly awe-inspiring. Enter the realm of "**Cummings Qsx Manual**," a mesmerizing literary masterpiece penned by way of a distinguished author, guiding readers on a profound journey to unravel the secrets and potential hidden within every word. In this critique, we shall delve to the book is central themes, examine its distinctive writing style, and assess its profound affect the souls of its readers.

[https://nodedev.waldoch.com/files/scholarship/default.aspx/Cerberus\\_Mxl\\_Manual.pdf](https://nodedev.waldoch.com/files/scholarship/default.aspx/Cerberus_Mxl_Manual.pdf)

### **Table of Contents Cummings Qsx Manual**

1. Understanding the eBook Cummings Qsx Manual
  - The Rise of Digital Reading Cummings Qsx Manual
  - Advantages of eBooks Over Traditional Books
2. Identifying Cummings Qsx Manual
  - Exploring Different Genres
  - Considering Fiction vs. Non-Fiction
  - Determining Your Reading Goals
3. Choosing the Right eBook Platform
  - Popular eBook Platforms
  - Features to Look for in an Cummings Qsx Manual
  - User-Friendly Interface
4. Exploring eBook Recommendations from Cummings Qsx Manual
  - Personalized Recommendations
  - Cummings Qsx Manual User Reviews and Ratings
  - Cummings Qsx Manual and Bestseller Lists

5. Accessing Cummings Qsx Manual Free and Paid eBooks
  - Cummings Qsx Manual Public Domain eBooks
  - Cummings Qsx Manual eBook Subscription Services
  - Cummings Qsx Manual Budget-Friendly Options
6. Navigating Cummings Qsx Manual eBook Formats
  - ePub, PDF, MOBI, and More
  - Cummings Qsx Manual Compatibility with Devices
  - Cummings Qsx Manual Enhanced eBook Features
7. Enhancing Your Reading Experience
  - Adjustable Fonts and Text Sizes of Cummings Qsx Manual
  - Highlighting and Note-Taking Cummings Qsx Manual
  - Interactive Elements Cummings Qsx Manual
8. Staying Engaged with Cummings Qsx Manual
  - Joining Online Reading Communities
  - Participating in Virtual Book Clubs
  - Following Authors and Publishers Cummings Qsx Manual
9. Balancing eBooks and Physical Books Cummings Qsx Manual
  - Benefits of a Digital Library
  - Creating a Diverse Reading Collection Cummings Qsx Manual
10. Overcoming Reading Challenges
  - Dealing with Digital Eye Strain
  - Minimizing Distractions
  - Managing Screen Time
11. Cultivating a Reading Routine Cummings Qsx Manual
  - Setting Reading Goals Cummings Qsx Manual
  - Carving Out Dedicated Reading Time
12. Sourcing Reliable Information of Cummings Qsx Manual
  - Fact-Checking eBook Content of Cummings Qsx Manual
  - Distinguishing Credible Sources
13. Promoting Lifelong Learning

- Utilizing eBooks for Skill Development
  - Exploring Educational eBooks
14. Embracing eBook Trends
- Integration of Multimedia Elements
  - Interactive and Gamified eBooks

### **Cummings Qsx Manual Introduction**

Cummings Qsx Manual Offers over 60,000 free eBooks, including many classics that are in the public domain. Open Library: Provides access to over 1 million free eBooks, including classic literature and contemporary works. Cummings Qsx Manual Offers a vast collection of books, some of which are available for free as PDF downloads, particularly older books in the public domain. Cummings Qsx Manual : This website hosts a vast collection of scientific articles, books, and textbooks. While it operates in a legal gray area due to copyright issues, its a popular resource for finding various publications. Internet Archive for Cummings Qsx Manual : Has an extensive collection of digital content, including books, articles, videos, and more. It has a massive library of free downloadable books. Free-eBooks Cummings Qsx Manual Offers a diverse range of free eBooks across various genres. Cummings Qsx Manual Focuses mainly on educational books, textbooks, and business books. It offers free PDF downloads for educational purposes. Cummings Qsx Manual Provides a large selection of free eBooks in different genres, which are available for download in various formats, including PDF. Finding specific Cummings Qsx Manual, especially related to Cummings Qsx Manual, might be challenging as theyre often artistic creations rather than practical blueprints. However, you can explore the following steps to search for or create your own Online Searches: Look for websites, forums, or blogs dedicated to Cummings Qsx Manual, Sometimes enthusiasts share their designs or concepts in PDF format. Books and Magazines Some Cummings Qsx Manual books or magazines might include. Look for these in online stores or libraries. Remember that while Cummings Qsx Manual, sharing copyrighted material without permission is not legal. Always ensure youre either creating your own or obtaining them from legitimate sources that allow sharing and downloading. Library Check if your local library offers eBook lending services. Many libraries have digital catalogs where you can borrow Cummings Qsx Manual eBooks for free, including popular titles. Online Retailers: Websites like Amazon, Google Books, or Apple Books often sell eBooks. Sometimes, authors or publishers offer promotions or free periods for certain books. Authors Website Occasionally, authors provide excerpts or short stories for free on their websites. While this might not be the Cummings Qsx Manual full book , it can give you a taste of the authors writing style. Subscription Services Platforms like Kindle Unlimited or Scribd offer subscription-based access to a wide range of Cummings Qsx Manual eBooks, including some popular titles.

---

## FAQs About Cummings Qsx Manual Books

1. Where can I buy Cummings Qsx Manual books? Bookstores: Physical bookstores like Barnes & Noble, Waterstones, and independent local stores. Online Retailers: Amazon, Book Depository, and various online bookstores offer a wide range of books in physical and digital formats.
2. What are the different book formats available? Hardcover: Sturdy and durable, usually more expensive. Paperback: Cheaper, lighter, and more portable than hardcovers. E-books: Digital books available for e-readers like Kindle or software like Apple Books, Kindle, and Google Play Books.
3. How do I choose a Cummings Qsx Manual book to read? Genres: Consider the genre you enjoy (fiction, non-fiction, mystery, sci-fi, etc.). Recommendations: Ask friends, join book clubs, or explore online reviews and recommendations. Author: If you like a particular author, you might enjoy more of their work.
4. How do I take care of Cummings Qsx Manual books? Storage: Keep them away from direct sunlight and in a dry environment. Handling: Avoid folding pages, use bookmarks, and handle them with clean hands. Cleaning: Gently dust the covers and pages occasionally.
5. Can I borrow books without buying them? Public Libraries: Local libraries offer a wide range of books for borrowing. Book Swaps: Community book exchanges or online platforms where people exchange books.
6. How can I track my reading progress or manage my book collection? Book Tracking Apps: Goodreads, LibraryThing, and Book Catalogue are popular apps for tracking your reading progress and managing book collections. Spreadsheets: You can create your own spreadsheet to track books read, ratings, and other details.
7. What are Cummings Qsx Manual audiobooks, and where can I find them? Audiobooks: Audio recordings of books, perfect for listening while commuting or multitasking. Platforms: Audible, LibriVox, and Google Play Books offer a wide selection of audiobooks.
8. How do I support authors or the book industry? Buy Books: Purchase books from authors or independent bookstores. Reviews: Leave reviews on platforms like Goodreads or Amazon. Promotion: Share your favorite books on social media or recommend them to friends.
9. Are there book clubs or reading communities I can join? Local Clubs: Check for local book clubs in libraries or community centers. Online Communities: Platforms like Goodreads have virtual book clubs and discussion groups.
10. Can I read Cummings Qsx Manual books for free? Public Domain Books: Many classic books are available for free as they're in the public domain. Free E-books: Some websites offer free e-books legally, like Project Gutenberg or Open Library.

**Find Cummings Qsx Manual :**

~~cerberus mxl manual~~

~~centennial history borough connellsville pennsylvania~~

**century furnace manuals**

~~certified maintenance exam study guide~~

~~certified pool operator study guide~~

~~cengage managerial accounting answer keys~~

**certified paralegal review manual 3rd edition**

~~century 3200 manual~~

~~century autopilot service manual~~

~~cen tech digital multimeter manual p35017~~

~~cerner millenniumtraining manual~~

**century link user guide**

~~certified patient account representative study guide 2013~~

**centauros b de books****certified crop advisor exam study guide iowa****Cummings Qsx Manual :**

pdf solutions manual for optimal control theory an - Feb 17 2022

web this book presents solutions to selected problems for who book optimal govern theory in introduction by donald kirk

**optimal control theory kirk solution manual issuu** - Jun 23 2022

web sep 20 2017 get optimal control theory kirk solution manual pdf file for free from our online library optimal control theory kirk solution manual optimal control theory kirk solution manual download

**introduction to optimal control princeton university** - Dec 30 2022

web the updated classic optimal control dynamic programming bertsekas volumes 1 2 introductory text a must have kirk applied optimal control more advanced generally assumes knowledge of the basics bryson and ho model predictive control from a more modern perspective kouvaritakis cannon

optimal control theory an introduction kirk donald e 1937 - Jan 31 2023

web english 1 online resource ix 452 pages geared toward upper level undergraduates this text introduces three aspects of



optimal control theory dynamic programming pontryagin s minimum principle and numerical techniques for trajectory optimization

*optimal control theory users metu edu tr* - Oct 28 2022

web prerequisite some knowledge of linear systems theory ee502 is assumed textbook d e kirk optimal control theory an introduction dover 2004 tentative course outline i chapters 1 3 kirk optimal control problem de nition and applications principle of optimality and dynamic programming hjb equation lqr ii chapter 4 kirk calculus

**pdf solutions manual for optimal control theory an** - May 03 2023

web solutions technical for optimal control theory an introduction download pdf news upload rummpelstindick view 7 716 download 1 667

**optimal control theory an introduction dover publications** - Jul 25 2022

web geared toward upper level undergraduates this text introduces three aspects of optimal control theory dynamic programming pontryagin s minimum principle and numerical techniques for trajectory optimization chapters 1 and 2 focus on describing systems and evaluating their performances

**optimal control theory kirk solution manual dokumen tips** - Sep 07 2023

web ai 1 machine learning from a signal processing view the optimal solution 2 from optimal solution to adaptive solution 3 from adaptive solution to deep learning 4 basics of documents methanol synthesis optimal solution for a better

*solutions manual for optimal control theory an introduction* - Aug 06 2023

web this book presents solutions to selected problems for the book optimal control theory an introduction by donald kirk text of solutions manual for optimal control theory an introduction page 1 7 16 2019 solutions manual for

**optimal control theory an introduction solution manual** - May 23 2022

web solution manual of the book optimal control theory by donald kirk 1 998 318 39mb english pages 185 year 2004 report dmca copyright download file of 1 polecaj historie calculus of variations and optimal control theory a concise instructor solution manual solutions 1 ed 0691151873 9780691151878 451 43 696kb read more

**solutions manual for optimal control theory an introduction** - Jul 05 2023

web solutions manual for optimal control theory an introduction free ebook download as pdf file pdf or read book online for free this book presents solutions to selected problems for the book optimal control theory an introduction by donald kirk

optimal control theory gbv - Sep 26 2022

web optimal control theory an introduction donald e kirk professor emeritus of electrical engineering san jose state university san jose california 3 9 characteristics of dynamic programming solution 75 3 10 analytical results discrete linear regulator 5 6 singular intervals in optimal control problems 291 5 7 summary and conclusions

**optimal control theory solution manual e kirk pdf** - Mar 01 2023

web may 14 2021 student solution manual for mathematical interest theory mar 04 2023 this manual is written to accompany the third edition of mathematical interest theory by leslie jane federer vaaler shinko kojima harper and james w daniel it contains solutions to all the odd numbered problems in that text

pdf solutions manual for optimal control theory an - Apr 21 2022

web this book presents solutions to selected problems for the book ideal control theory an introduction by donald kirk

**pdf kirk optimal control theory solution manual researchgate** - Oct 08 2023

web pdf on jul 9 2015 habib khani published kirk optimal control theory solution manual find read and cite all the research you need on researchgate

**solutions manual for optimal control theory an introduction** - Nov 28 2022

web browse manual for optimal control theory an introduction of 186 186 match case limit results 1 per page solutions manual for optimal control theory an introduction downloaded pdf show an introduction by donald kirk text of solutions manual for optimal control class into introduction

**optimal control theory an introduction donald e kirk google** - Aug 26 2022

web jan 1 2004 donald e kirk courier corporation jan 1 2004 technology engineering 452 pages optimal control theory is the science of maximizing the returns from and minimizing the costs of the

*optimal control theory an introduction solution manual pdf* - Jun 04 2023

web optimal control theory an introduction solution manual author donald kirk category mathematics automatic control theory language english isbn 9780486434841 0486434842 year 2004 pages 185 file size 38 8 mb total downloads 3 511 total views 15 492 pages in file 185 topic 139 identifier

**optimal control theory solution manual pdf scribd** - Apr 02 2023

web kirk optimal control theory solution manual book july 2015 citations reads 0 10 785 1 author habib khani khorasan institute of higher education 5 publications 0 citations see profile all content following this page was uploaded by habib khani on 09 july 2015 the user has requested enhancement of the downloaded file

optimal control theory an introduction semantic scholar - Mar 21 2022

web a real time implementable battery aging conscious adaptive equivalent consumption management strategy is proposed which is able to achieve performance that is comparable to optimal results and an optimal control based charging strategy which minimizes battery capacity degradation incurred during charging by optimizing the charging current profile

american sailing ships coloring book dover publications - Apr 07 2023

web the magnificent age of sail lives again in this distinctive collection of ready to color american sailing ships in a pictorial

display spanning over 200 years of maritime history artist and avid sailor peter copeland meticulously depicts vessels ranging from small shallow draft topsail schooners of colonial times and early sail and steam

[american sailing ships coloring book open library](#) - Dec 03 2022

web american sailing ships coloring book by peter f copeland june 1 1987 dover publications edition paperback in english

*american sailing ships coloring book peter f copeland free* - Aug 11 2023

web jan 20 2023 american sailing ships coloring book by peter f copeland publication date 1987 publisher dover

publications collection inlibrary printdisabled internetarchivebooks digitizing sponsor kahle austin foundation contributor

internet archive language english notes obscured text on back cover due to sticker attached

**american sailing ships coloring book american sailing ships** - Jun 09 2023

web jul 5 2022 american sailing ships coloring book american sailing ships painting and art of amazing and beautiful ships

designs sailing ships and boats coloring book for kids and adults 120 illustrations publication tanjir press on amazon com free

shipping on qualifying offers

**american sailing ships coloring book book pdf download** - Jan 24 2022

web adult coloring books ships boats 48 grayscale coloring pages includes free pdf version and color guide beautiful

grayscale images of sailing ships barges gondoliers fishing boats and more pages are printed on one side size 8 5x11 in feel

free to use any or all your favorite coloring tools such as colored pencils gel pens brush tip markers

**american sailing ships coloring book book pdf download or** - Mar 06 2023

web american sailing ships coloring book by peter f copeland coloring books sea life forty five magnificent ready to color

illustrations depict uss constitution sloops whalers frigates clippers more

*american sailing ships coloring book goodreads* - Mar 26 2022

web the magnificent age of sail lives again in this distinctive collection of ready to color american sailing ships in a pictorial

display spanning over 200 years of maritime history artist and avid sailor peter copeland meticulously depicts vessels ranging

from small shallow draft topsail schooners of colonial times and early sail and steam powered

[american sailing ships coloring book dover history coloring book](#) - Apr 26 2022

web american sailing ships coloring book dover history coloring book copeland peter f amazon in books

[historic sailing ships coloring book amazon com](#) - May 08 2023

web oct 1 1982 the age of sail spread over most of human history with its decline passed some of the most beautiful

engineering and aesthetic creations ever seen see them sail the ocean once again and color them as vividly brilliant as ever

in this survey of historical sailing ships coloring book

*american sailing ships coloring book pdf epub download* - Jul 10 2023

web american sailing ships coloring book book in pdf epub and kindle version is available to download in english read online anytime anywhere directly from your device click on the download button below to get a free pdf file of american sailing ships coloring book book

**american sailing ships coloring book christianbook com** - Feb 05 2023

web the magnificent age of sail lives again in this distinctive collection of ready to color american sailing ships in a pictorial display spanning over 200 years of maritime history artist and avid sailor peter copeland meticulously depicts vessels ranging from small shallow draft topsail schooners of colonial times and early sail and steam

**american sailing ships coloring book sailing ships painting and** - Nov 02 2022

web jul 5 2022 american sailing ships coloring book sailing ships painting and art of amazing and beautiful ships designs for kids and adults ships and boats coloring book 120 illustrations publication tanjir press on amazon com free shipping on qualifying offers

american sailing ships coloring book sailing ships pai - May 28 2022

web this 120 amazing american sailing ships adult coloring book for adults relaxation and stress relief enjoy beautiful american sailing ships adult coloring book in every page original artwork made specifically for all ages this is a fun and educational activity book for kids and adults all ages to use during the summer or school year

*adult coloring books ships boats 48 grayscale coloring pages* - Jan 04 2023

web oct 5 2018 adult coloring books ships boats 48 grayscale coloring pages includes free pdf version and color guide beautiful grayscale images of sailing ships barges gondoliers fishing boats and more

**amazon com coloring books ships** - Jul 30 2022

web aug 18 2020 ships coloring book for adults ships and boats coloring book a collection of amazing and beautiful ships designs american sailing ships pirate and much more for relax and stress management by pakoko polk

**ships coloring book for adults ships and boats coloring book a** - Aug 31 2022

web aug 26 2020 ships coloring book for adults ships and boats coloring book a collection of amazing and beautiful ships designs american sailing ships pirate and much more for relax and stress management polk pakoko on amazon com free shipping on qualifying offers

**american sailing ships coloring book dover american history coloring** - Sep 12 2023

web jun 1 1987 in a pictorial display spanning over 200 years of maritime history artist and avid sailor peter copeland meticulously depicts vessels ranging from small shallow draft topsail schooners of colonial times and early sail and steam powered ships to modern reconstructions of classic 17th century vessels

**american sailing ships coloring book google books** - Jun 28 2022

web forty five magnificent ready to color illustrations depict vessels ranging from small shallow draft topsail schooners of colonial times and early sail and steam powered ships to modern

**buy american sailing ships coloring book book by peter copeland** - Feb 22 2022

web american sailing ships coloring book isbn 0486253880 ean13 9780486253886 language english release date jun 1 1987 pages 48 dimensions 0 3 h x 10 9 l x 8 w weight 0 5 lbs format paperback publisher dover publications favorite add to wishlist american sailing ships coloring book 54 ratings arrow drop down 4 5 out of 5

**coloring book american sailing ships coloring book** - Oct 01 2022

web coloring books have entertained children since the 1880s when mcloughlin brothers offered little folks painting book as the title of the 1880s book sug

**sur la tete de la chevre folio junior t 1300 fren pdf** - Jan 19 2022

web mar 21 2023 sur la tete de la chevre folio junior t 1300 fren 1 3 downloaded from uniport edu ng on march 21 2023 by guest sur la tete de la chevre folio junior t

*traduzione in francese esempi italiano reverso context* - Jun 23 2022

web traduzione di sul tetto in francese ha espandibilità nel cortile e sul tetto il a expansibilité dans la cour arrière et sur le toit essa ha anche una grande terrazza solarium sul tetto

**traduction de suo figlio che taglia porta en français reverso** - Apr 21 2022

web tantale dans le mythe de la malédiction de la maison des atrides dépèce son propre fils et le sert en repas aux dieux simplement pour les tester il suo rifiuto di seguire il suo

**sur la tete de la chevre folio junior t 1300 fren eagldemo2** - Aug 26 2022

web sur la tete de la chevre folio junior t 1300 fren nouveau dictionnaire de la vie pratique enquete parlementaire sur les actes du gouvernement de la defense

**sur la tête de la chèvre folio junior t 1300 french edition by** - Jun 04 2023

web sur la tête de la chèvre folio junior t 1300 french edition by aranka siegal elle raconte son enfance dramatique dans son livre sur la tête de la chèvre du début de la

sur la tête de la chèvre folio junior t 1300 french edition by - Oct 08 2023

web folio junior t 1300 french sur la tête de la chèvre folio junior french edition sur la tête de la chèvre folio junior livres malgré les injustices et les privations sa famille s efforce

**sur la tete de la chevre folio junior t 1300 fren pdf** - Sep 26 2022

web sur la tete de la chevre folio junior t 1300 fren corolla numismatica ancient egypt and the east dictionnaire d archéologie chrétienne et de liturgie publié par le r p

**sur la tete de la chevre folio junior t 1300 fren bianchis** - Aug 06 2023

web we manage to pay for sur la tete de la chevre folio junior t 1300 fren and numerous ebook collections from fictions to scientific research in any way in the middle of them

**tunisiecollege net 2011** - Jan 31 2023

web cependant l oiseau riant d angoisse voletait dans la ham re en heurtant de la tête les vitraux de la fenêtre l enfant ne esse de sauter claes lui mit pesamment la main sur

**sur la tete de la chevre folio junior t 1300 fren yvan goll** - Mar 01 2023

web jan 16 2023 this sur la tete de la chevre folio junior t 1300 fren but end up in infectious downloads rather than reading a good book with a cup of coffee in the

se porte sur traduzione in italiano reverso context - May 23 2022

web traduzioni in contesto per se porte sur in francese italiano da reverso context notre choix se porte sur une alimentation exclusivement végétale grâce à une sélection

**sur la tete de la chevre folio junior t 1300 fren copy** - Oct 28 2022

web sur la tete de la chevre folio junior t 1300 fren 1 sur la tete de la chevre folio junior t 1300 fren chronique médicale correspondance de napoléon ier corolla

*sur la tete de la chevre folio junior t 1300 fren suzanne* - Jul 05 2023

web sur la tete de la chevre folio junior t 1300 fren eventually you will extremely discover a additional experience and carrying out by spending more is sur la tete de

**sur la tete de la chevre folio junior t 1300 fren copy** - Nov 28 2022

web if you ally compulsion such a referred sur la tete de la chevre folio junior t 1300 fren ebook that will find the money for you worth get the completely best seller from us

sur la tete de la chevre folio junior t 1300 fren pdf - May 03 2023

web sur la tete de la chevre folio junior t 1300 fren downloaded from stage gapinc com by guest walker allie précis historique et critique de la campagne d italie en 1859

*sur la tete de la chevre folio junior t 1300 fren pdf* - Feb 17 2022

web 2 sur la tete de la chevre folio junior t 1300 fren 2023 07 06 connexion spirituelle ce volume porté par la plume inspirée de nicoleta crenguta bulilete vous invite à

*sur la tete de la chevre folio junior t 1300 fren pdf* - Apr 02 2023

web apr 28 2023 this online message sur la tete de la chevre folio junior t 1300 fren can be one of the options to accompany you in the manner of having new time it will not waste

**download solutions sur la tete de la chevre folio junior t** - Dec 30 2022

web site to start getting this info get the sur la tete de la chevre folio junior t 1300 fren link that we have the funds for here and check out the link you could purchase lead sur

**chevelu sur la tete 20 solutions de 3 à 11 lettresfsolver** - Mar 21 2022

web apr 21 2023 solutions de mots croisés et mots fléchés pour chevelu sur la tete 20 solutions de 3 à 11 lettres

**sur la tete de la chevre folio junior t 1300 fren 2022** - Jul 25 2022

web sur la tete de la chevre folio junior t 1300 fren acta obstetricia et gynecologica scandinavica bulletin du comité international permanent pour l exécution

sur la tete de la chevre folio junior t 1300 fren pdf - Dec 18 2021

web sur la tete de la chevre folio junior t 1300 fren 1 4 downloaded from uniport edu ng on june 17 2023 by guest sur la tete de la chevre folio junior t 1300 fren

**sur la tete de la chevre folio junior t 1300 fren pdf** - Sep 07 2023

web sur la tete de la chevre folio junior t 1300 fren sur la tete de la chevre folio junior t 1300 fren 2 downloaded from ead3 archivists org on 2021 06 14 by guest

**sur la tete de la chevre folio junior t 1300 fren uniport edu** - Nov 16 2021

web sur la tete de la chevre folio junior t 1300 fren 3 5 downloaded from uniport edu ng on april 25 2023 by guest journal général de la littérature de france ou répertoire