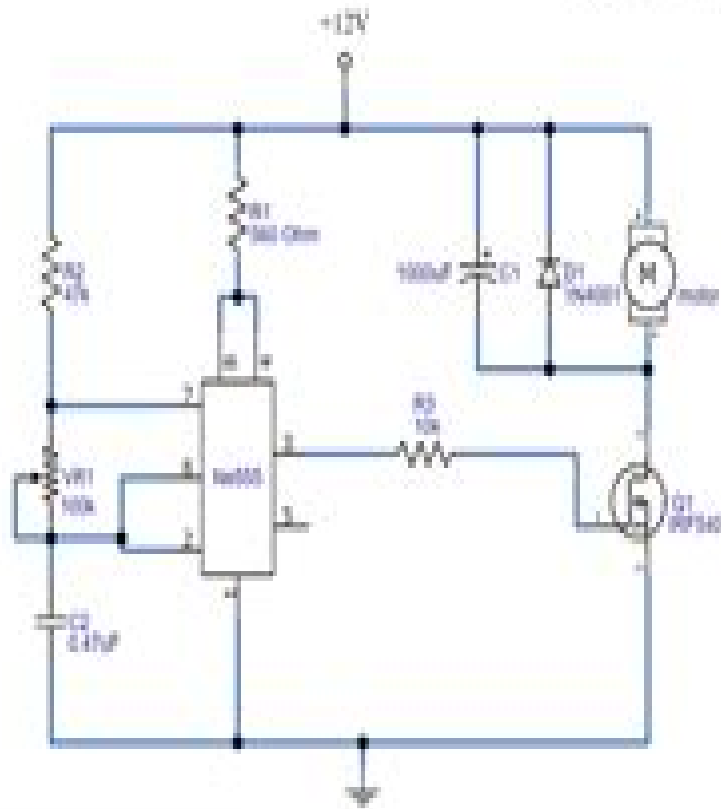


DC Motor Speed Control using IC 555



Dc Motor Speed Control

Shin Horng Chong



Dc Motor Speed Control:

DC Motors, Speed Controls, Servo Systems Sam Stuart,2013-10-22 DC Motors Speed Controls Servo Systems An Engineering Handbook is a seven chapter text that covers the basic concept principles and applications of DC and speed motors and servo systems After providing the terminology symbols and systems of units this book goes on dealing with the basic theory motor comparison and basic speed control methods of motors The subsequent chapters describe the phase locked servo systems and their optimization and applications These topics are followed by a discussion of the developments made by Electro Craft in the field of DC Brushless Motors The final chapter provides revised data sheets on Electro Craft products and describes the models in the motomatic range of speed controls servomotor controls and digital positioning systems This handbook is of great value to professional engineers and engineering students *Adjustable Closed-loop DC Motor Speed Controller* Nurul Atikah Nasir,2012 The speed control of DC motors is very crucial in applications where the importance of precision and protection Purpose of a motor speed controller is to take a signal representing the required speed and to drive a motor at that speed Micro controller can provide easy control of DC motor This project is about speed control system of DC motor by using micro controller and it is a closed loop control system Pulse Width Modulation PWM technique is used where its signal is generated in microcontroller which is the signal will send to motor driver to vary the voltage supply to control motor speed DC Motor Speed Control with the Precence of Input Disturbance using Neural Network Based Model Reference and Predictive Controllers Mustefa Jibril,2020-05-11 Academic Paper from the year 2020 in the subject Computer Science Miscellaneous language English abstract In this paper we describe a technical system for DC motor speed control The speed of DC motor is controlled using Neural Network Based Model Reference and Predictive controllers with the use of Matlab Simulink The analysis of the DC motor is done with and without input side Torque disturbance input and the simulation results obtained by comparing the desired and actual speed of the DC motor using random reference and sinusoidal speed inputs for the DC motor with Model Reference and Predictive controllers The DC motor with Model Reference controller shows almost the actual speed is the same as the desired speed with a good performance than the DC motor with Predictive controller for the system with and without input side disturbance Finally the comparative simulation result prove the effectiveness of the DC motor with Model Reference controller Digital DC Motor Speed Control System Brian E. Goodrich,Purdue University Calumet. Electrical Engineering Technology Department,1994

Speed Control of Dc Motor Using Pwm Technique Surajit Das Barman,Abrar Hussain,Toufiq Ahmed,2012-06 Direct current DC motors have variable characteristics and are used extensively in variable speed drives DC motor can provide a high starting torque and it is also possible to obtain speed control over wide range Why do we need a seed motor controller For example if we have a DC motor in a robot if we just apply a constant power to each motor on a robot then the poor robot will never be able to maintain a steady speed It will go slower over carpet faster over smooth flooring slower up hill faster

down hill etc So it is important to make a controller to control the speed of DC motor in desired speed DC motor plays a significant role in modern industrial These are several types of applications where the load on the DC motor varies over a speed range These applications may demand high speed control accuracy and good dynamic responses In home applications washers dryers and compressors are good example In automotive fuel pump control electronic steering control engine control and electric vehicle control are good examples of these In aerospace there are a number of applications like centrifuges pumps robotic arm controls gyroscope controls and so on

DC Motor Speed Control Using a Phase-locked Loop Erik Nelson,1975 DC Motor Speed Control with PWM ,2015 Development of Control Shceme for DC Motor Speed Control Applications Siti Nurnadirah Ahmad Latfi,2010

Nowadays DC motors plays a vital role in most of the industrial areas it can be seen in most of the electronic devices The purpose of a motor speed controller is to take a signal representing the demanded speed and to drive a motor at that speed In this project the power converter for DC motor application is developed One of the most common methods is by using PWM wave to control the speed of the motor Therefore to provide the required power to the motor SPMS is used to supply the DC motor from AC power supply Rectifier which converted AC DC and buck converter are combined which output can be supplied to the DC motor The SMPS which supplies the DC motor is developed and the output is controlled by using PWM TL494 is used to generate the PWM wave which can be varied in duty ratio In the end of this project the motor speed will satisfied the desired speed control as expected

PC Based DC Motor Speed Control Mohamad Azizi Omar,2008 The purpose of this study is in electronic scope to design a DC speed controller circuit controlled by computer as a GUI Graphical User Interface from minimum to maximum speed This project is focus on the DC motor speed control by varying the duty cycle of Pulse With Modulation PWM signal via Computer PC Nowadays the computers are widely used in daily applications as a graphical user interface GUI because it is easy to monitoring save cost and time In this project PC used to generate PWM signals assisted by Microsoft Visual Basics software thus reduced hardware implementation in a system PWM speed control is desirable due to its high power efficiency compare with another method of speed control like frequency control current and voltage control The motor averages the input duty cycle into a constant speed which is directly proportional to the percent duty cycle The Software send PWM signal to the driver circuit through the RS232 serial port The driver circuit will boosted the PWM signal to drive the MOSFET and thus control the motor The speed of DC motor is depending on the spectrum of PWM that refer to their duty cycle This project was able to control the motor speed via PC from zero to maximum speed which is most important feature in industrials control applications

DC Motor Speed Controller Mohd Amir Fikri Awang,2010 The automatic control has played a vital role in the advance of engineering and science Nowadays in industries the control of direct current DC motor is a common practice thus the implementation of DC motor of controller speed is important The main purpose of motor speed control is to keep the rotation of the motor at the preset speed and to drive a system at the demanded speed When used in speed application speed

feedback control the DC motor's speed or confirms that the motor is rotating at the desired speed. To maintain the speed it requires the speed feedback at all times. The speed of a DC motor usually is directly proportional to the supply voltage. For instance, if we reduce the supply voltage from 12 Volts to 6 Volts, the motor will run at half or lower the speed. The advantages used DC motor is provide excellent speed control for acceleration and deceleration with effective and simple torque control. The fact that the power supply of a DC motor connects directly to the field of the motor allows for precise voltage control which is necessary with speed and torque control applications. The common methods are used to control speed DC motor is Proportional Integral Derivative PID and PC based to control it. In this project the method use as controller is Programmable Interface Controller PIC microcontroller for the electric current control to drive a motor. The expectation of this project is to get the precise the demanded speed and to drive a motor at that speed.

Comparison of DC Motor Speed Control Performance using Fuzzy Logic and Model Predictive Control Method Mustefa Jibril, 2020-05-11 Academic Paper from the year 2020 in the subject Computer Science Miscellaneous language English abstract. The main target of this paper is to control the speed of DC motor by comparing the actual and the desired speed set point. The DC motor is designed using Fuzzy logic and MPC controllers. The comparison is made between the proposed controllers for the control target speed of the DC motor using square and white noise desired input signals with the help of Matlab Simulink software. It has been realized that the design based on the fuzzy logic controller track the set point with the best steady state and transient system behavior than the design with MPC controller. Finally the comparative simulation result prove the effectiveness of the DC motor with fuzzy logic controller.

DC Motor Speed Control Using SCR Chopper John Y. H. Chen, 1977
Experiments in Solid-state D.C. Motor Speed Control Raymond John Bukszar, 1973
Solid State DC Motor Speed Control with Adjustment Acceleration Wan Bakree Mohd Ramli, 1988
An Input-output Approach to Series DC Motor Speed Control, 1999
DC Motor Speed Control with PID Control Using Visual Basic Shin Horng Chong, 2001
Speed Control of Sensorless Brushless DC Motor MD Sabbir Ahmed, 2018-11-22. This book is all about running a brushless DC motor using a sensorless technique. The target of the work was to make a very simple operating method for a brushless motor and formulate a speed control mechanism. Initially the work was started with both considering back EMF and without considering back EMF. Because of more complexity in the back EMF sensing method and as our intention was to make a simpler and cost effective operation so finally we assembled our project the without back EMF sensing. Even though being a simple and inexpensive machine the performance was quite good. However adding back EMF sensing in this machine can give it more dependability.

TABLE OF CONTENTS
 DECLARATION I APPROVAL II ACKNOWLEDGEMENT III LIST OF FIGURES VII ABSTRACT IX CHAPTER 1 INTRODUCTION 101
 1 Introduction 101
 2 Historical Background 101
 3 Advantage over Traditional Method 111
 4 Objective of this Work 121
 4.1 Primary objectives 121
 4.2 Secondary Objectives 121
 5 Introduction to this Thesis 12
 CHAPTER 2 BRUSHLESS DC MOTOR 142

1 Introduction142 2 Comparison of Brushless motor with brushed motors152 3 Structure of a BLDC152 3 1 Stator162 3 2 Rotor172 4 Operating Principle182 4 1 Sensored Commutation192 4 2 Conventional Control Method Using Hall effect Sensors202 4 3 Sensorless Control222 5 Applications232 6 Summary24
 CHAPTER 3MOTOR DRIVE SYSTEMS253 1 Introduction253 2 Components of Drive Electronics253 3 Inverter263 3 1 Three Phase Inverter263 3 1 1 120 Degree Conduction273 3 1 2 180 Degree Conduction293 4 Speed Control Techniques303 4 1 Open Loop Speed Control313 4 2 Closed Loop Speed Control313 4 2 1 Proportional Integral PI Controller323 5 PWM based Methods333 5 1 Conventional 120 PWM technique333 5 2 PWM Duty Cycle Calculation333 6 Summary34
 CHAPTER 4SIMULATION354 1 Introduction354 2 Simulation354 2 1 Simulating Three Phase Inverter364 2 2 Simulating Controller Unit384 3 Simulation Results394 3 1 Speed Control404 4 Summary40
 CHAPTER 5HARDWARE IMPLEMENTATION415 1 Introduction415 2 Equipments and Components425 3 Power Supply Unit435 4 Microcontroller Unit445 5 Motor Drive Unit455 6 Performance of the System465 7 Summary47
 CHAPTER 6DISCUSSIONS AND CONCLUSIONS486 1 Discussions486 2 Suggestion for future Work496 2 1 Limitations496 2 2 Future Scope496 3 Conclusions50
 REFERENCES51
 APPENDIX A53
 SPEED CONTROL FLOWCHART53
 APPENDIX B54
 MICROCONTROLLER CODES54
 APPENDIX C55
 ATMEGA32 MICROCONTROLLER 556 3 1 Pin Descriptions556 3 2 Block Diagram586 3 3 Electrical Characteristics59
 APPENDIX D60
 L298 DUAL FULL BRIDGE DRIVER 606 3 4 Pin Configurations606 3 5 Maximum Ratings61

SCR Speed Control of a DC Motor Robert M. McGarvey,1965

Applied Control Theory James R. Leigh,1987 This second edition includes new material and supporting references on robotics control programmable logic controllers self tuning controllers distributed computer control systems and biotechnological control

DC Motor Control - A case study MOHAMMED ASLAM HUSAIN,2018-11-20 In this book the four quadrant speed control system for DC motor has been studied and constructed To achieve speed control an electronic technique called pulse width modulation is used which generates high and low pulses These pulses vary in the speed of the engine For the generation of these pulses a microcontroller is used It is a periodic change in the program Different speed grades and the direction are depended on different buttons The experiment has proved that this system is higher performance Speed control of a machine is the most vital and important part of any industrial organization This paper is designed to develop a four quad speed control system for a DC motor using microcontroller The engine is operated in four quadrants ie clockwise counterclockwise forward brake and reverse brake It also has a feature of speed control The four quadrant operation of the dc engine is best suited for industries where engines are used and as a requirement they can rotate in clockwise counter clockwise and thus apply brakes immediately in both the directions In the case of a specific operation in an industrial environment the engine needs to be stopped immediately In this scenario this system is very integral The PWM pulses generated by the microcontroller are instantaneous in both directions and as a result of applying the PWM pulses The microcontroller used in this project is from 8051 family Push buttons are provided for the operation of

the motor which are interfaced to the microcontroller that provides an input signal to it and controls the speed of the engine through a motor driver IC The speed and direction of DC motor has been observed on digital CRO

Recognizing the pretension ways to get this ebook **Dc Motor Speed Control** is additionally useful. You have remained in right site to begin getting this info. get the Dc Motor Speed Control member that we present here and check out the link.

You could purchase guide Dc Motor Speed Control or get it as soon as feasible. You could speedily download this Dc Motor Speed Control after getting deal. So, taking into account you require the books swiftly, you can straight acquire it. Its appropriately entirely easy and as a result fats, isnt it? You have to favor to in this song

<https://nodedev.waldoch.com/files/scholarship/index.jsp/derbi%20drd%20evo%20manual.pdf>

Table of Contents Dc Motor Speed Control

1. Understanding the eBook Dc Motor Speed Control
 - The Rise of Digital Reading Dc Motor Speed Control
 - Advantages of eBooks Over Traditional Books
2. Identifying Dc Motor Speed Control
 - Exploring Different Genres
 - Considering Fiction vs. Non-Fiction
 - Determining Your Reading Goals
3. Choosing the Right eBook Platform
 - Popular eBook Platforms
 - Features to Look for in an Dc Motor Speed Control
 - User-Friendly Interface
4. Exploring eBook Recommendations from Dc Motor Speed Control
 - Personalized Recommendations
 - Dc Motor Speed Control User Reviews and Ratings
 - Dc Motor Speed Control and Bestseller Lists
5. Accessing Dc Motor Speed Control Free and Paid eBooks
 - Dc Motor Speed Control Public Domain eBooks

- Dc Motor Speed Control eBook Subscription Services
- Dc Motor Speed Control Budget-Friendly Options
- 6. Navigating Dc Motor Speed Control eBook Formats
 - ePub, PDF, MOBI, and More
 - Dc Motor Speed Control Compatibility with Devices
 - Dc Motor Speed Control Enhanced eBook Features
- 7. Enhancing Your Reading Experience
 - Adjustable Fonts and Text Sizes of Dc Motor Speed Control
 - Highlighting and Note-Taking Dc Motor Speed Control
 - Interactive Elements Dc Motor Speed Control
- 8. Staying Engaged with Dc Motor Speed Control
 - Joining Online Reading Communities
 - Participating in Virtual Book Clubs
 - Following Authors and Publishers Dc Motor Speed Control
- 9. Balancing eBooks and Physical Books Dc Motor Speed Control
 - Benefits of a Digital Library
 - Creating a Diverse Reading Collection Dc Motor Speed Control
- 10. Overcoming Reading Challenges
 - Dealing with Digital Eye Strain
 - Minimizing Distractions
 - Managing Screen Time
- 11. Cultivating a Reading Routine Dc Motor Speed Control
 - Setting Reading Goals Dc Motor Speed Control
 - Carving Out Dedicated Reading Time
- 12. Sourcing Reliable Information of Dc Motor Speed Control
 - Fact-Checking eBook Content of Dc Motor Speed Control
 - Distinguishing Credible Sources
- 13. Promoting Lifelong Learning
 - Utilizing eBooks for Skill Development
 - Exploring Educational eBooks

14. Embracing eBook Trends

- Integration of Multimedia Elements
- Interactive and Gamified eBooks

Dc Motor Speed Control Introduction

In this digital age, the convenience of accessing information at our fingertips has become a necessity. Whether its research papers, eBooks, or user manuals, PDF files have become the preferred format for sharing and reading documents. However, the cost associated with purchasing PDF files can sometimes be a barrier for many individuals and organizations. Thankfully, there are numerous websites and platforms that allow users to download free PDF files legally. In this article, we will explore some of the best platforms to download free PDFs. One of the most popular platforms to download free PDF files is Project Gutenberg. This online library offers over 60,000 free eBooks that are in the public domain. From classic literature to historical documents, Project Gutenberg provides a wide range of PDF files that can be downloaded and enjoyed on various devices. The website is user-friendly and allows users to search for specific titles or browse through different categories. Another reliable platform for downloading Dc Motor Speed Control free PDF files is Open Library. With its vast collection of over 1 million eBooks, Open Library has something for every reader. The website offers a seamless experience by providing options to borrow or download PDF files. Users simply need to create a free account to access this treasure trove of knowledge. Open Library also allows users to contribute by uploading and sharing their own PDF files, making it a collaborative platform for book enthusiasts. For those interested in academic resources, there are websites dedicated to providing free PDFs of research papers and scientific articles. One such website is Academia.edu, which allows researchers and scholars to share their work with a global audience. Users can download PDF files of research papers, theses, and dissertations covering a wide range of subjects. Academia.edu also provides a platform for discussions and networking within the academic community. When it comes to downloading Dc Motor Speed Control free PDF files of magazines, brochures, and catalogs, Issuu is a popular choice. This digital publishing platform hosts a vast collection of publications from around the world. Users can search for specific titles or explore various categories and genres. Issuu offers a seamless reading experience with its user-friendly interface and allows users to download PDF files for offline reading. Apart from dedicated platforms, search engines also play a crucial role in finding free PDF files. Google, for instance, has an advanced search feature that allows users to filter results by file type. By specifying the file type as "PDF," users can find websites that offer free PDF downloads on a specific topic. While downloading Dc Motor Speed Control free PDF files is convenient, its important to note that copyright laws must be respected. Always ensure that the PDF files you download are legally available for free. Many authors and publishers voluntarily provide free PDF versions of their work, but its essential to be cautious and

verify the authenticity of the source before downloading Dc Motor Speed Control. In conclusion, the internet offers numerous platforms and websites that allow users to download free PDF files legally. Whether its classic literature, research papers, or magazines, there is something for everyone. The platforms mentioned in this article, such as Project Gutenberg, Open Library, Academia.edu, and Issuu, provide access to a vast collection of PDF files. However, users should always be cautious and verify the legality of the source before downloading Dc Motor Speed Control any PDF files. With these platforms, the world of PDF downloads is just a click away.

FAQs About Dc Motor Speed Control Books

What is a Dc Motor Speed Control PDF? A PDF (Portable Document Format) is a file format developed by Adobe that preserves the layout and formatting of a document, regardless of the software, hardware, or operating system used to view or print it. **How do I create a Dc Motor Speed Control PDF?** There are several ways to create a PDF: Use software like Adobe Acrobat, Microsoft Word, or Google Docs, which often have built-in PDF creation tools. Print to PDF: Many applications and operating systems have a "Print to PDF" option that allows you to save a document as a PDF file instead of printing it on paper. Online converters: There are various online tools that can convert different file types to PDF. **How do I edit a Dc Motor Speed Control PDF?** Editing a PDF can be done with software like Adobe Acrobat, which allows direct editing of text, images, and other elements within the PDF. Some free tools, like PDFescape or Smallpdf, also offer basic editing capabilities. **How do I convert a Dc Motor Speed Control PDF to another file format?** There are multiple ways to convert a PDF to another format: Use online converters like Smallpdf, Zamzar, or Adobe Acrobats export feature to convert PDFs to formats like Word, Excel, JPEG, etc. Software like Adobe Acrobat, Microsoft Word, or other PDF editors may have options to export or save PDFs in different formats. **How do I password-protect a Dc Motor Speed Control PDF?** Most PDF editing software allows you to add password protection. In Adobe Acrobat, for instance, you can go to "File" -> "Properties" -> "Security" to set a password to restrict access or editing capabilities. Are there any free alternatives to Adobe Acrobat for working with PDFs? Yes, there are many free alternatives for working with PDFs, such as: LibreOffice: Offers PDF editing features. PDFsam: Allows splitting, merging, and editing PDFs. Foxit Reader: Provides basic PDF viewing and editing capabilities. How do I compress a PDF file? You can use online tools like Smallpdf, ILovePDF, or desktop software like Adobe Acrobat to compress PDF files without significant quality loss. Compression reduces the file size, making it easier to share and download. Can I fill out forms in a PDF file? Yes, most PDF viewers/editors like Adobe Acrobat, Preview (on Mac), or various online tools allow you to fill out forms in PDF files by selecting text fields and entering information. Are there any restrictions when working with PDFs? Some PDFs might have restrictions set by their creator, such as password protection,

editing restrictions, or print restrictions. Breaking these restrictions might require specific software or tools, which may or may not be legal depending on the circumstances and local laws.

Find Dc Motor Speed Control :

derbi drd evo manual

[descender 8 jeff lemire ebook](#)

[derbi boulevard owners manual](#)

descriptive building recently departments national

[design modeling and characterization of bio nanorobotic systems](#)

[design center circuit analysis reference manual](#)

der letzte sonntagsjger humoristische studie duitstalig

[der werken van alexander ver huell zijn er zoo](#)

[depth of knowledge common core](#)

derbi shop manual

design management exploring fieldwork and applications

[design guide for galvanized steel sheet](#)

[derbi manual 6 speed](#)

der erfolgsnavigator ohne stress und burnout private und berufliche ziele verwirklichen

desert watchmen book wayne downing

Dc Motor Speed Control :

[pädiatrie hoch2 clinical key edition vitalsource - Jan 08 2023](#)

[web pädiatrie hoch2 pdf instant download 169 00 15 99 e book pdf high quality searchable pdf format get 3 off your order](#)

[text united states code](#)

[pädiatrie hoch2 e book 9783437434815 elsevier gmbh - Aug 15 2023](#)

[web erscheinungsdatum 08 2018 inhaltsverzeichnis hoch2 die lehrbuch reihe mit dem einzigartigen dozenten studenten](#)

[konzept mit pädiatrie hoch2 gelingt ihnen der](#)

[pädiatrie hoch2 e book mit e book amazon de - Nov 06 2022](#)

[web pädiatrie hoch2 e book von ania carolina muntau kartonierter einband jetzt buch zum tiefpreis von chf 79 20 portofrei](#)

bei ex libris bestellen bücher zum ex libris tiefpreis

[pädiatrie hoch2](#) - Feb 26 2022

web aug 12 2023 may 24th 2020 that related with padiatrie hoch2 book happy reading padiatrie hoch2 book everyone

download file free book pdf padiatrie hoch2 at plete pdf

padiatrie in hellas und rom pmc national center for - Dec 27 2021

web aug 10 2023 padiatrie hoch2 at dsewu gregoryscottrobinson pädiatrie hoch2 oscar rothacker bücher amp service

padiatrie hoch2 at atry gregoryscottrobinson ania carolina muntau author of pediatrie pädiatrie grundlagen und praxis set of 2 volumes

[pädiatrie hoch2 e book mit e book amazon de](#) - May 12 2023

web hoch2 macht die pädiatrie verständlich und befähigt sie unterschiedliche situationen zu meistern denn hoch2 bietet all das wissen verfasst von experten die sich in der lehre

padiatrie hoch2 roland seifert full pdf - Apr 30 2022

web padiatrie hoch2 at dsewu gregoryscottrobinson pädiatrie grundlagen und praxis set of 2 volumes springer pädiatrie

hoch2 oscar rothacker bücher amp service ania carolina muntau author of pediatrie klinikleitfaden pädiatrie de

[pädiatrie hoch2 zetopshop](#) - Dec 07 2022

web hoch2 macht die pädiatrie verständlich und befähigt sie unterschiedliche situationen zu meistern denn hoch2 bietet all das wissen verfasst von experten die sich in der lehre

hoch2 elsevier health - Feb 09 2023

web pädiatrie hoch2 clinical key edition is written by ania carolina muntau and published by urban fischer the digital and etextbook isbn for pädiatrie hoch2 clinical key

[thieme e journals klinische pädiatrie abstract](#) - Jul 02 2022

web jun 1 2011 download citation pädiatrie hoch zwei medizinerwege dr med thomas schneider kinderarzt klinikkarriere oder niederlassung für viele ärzte eine schwere

elsevier - Apr 11 2023

web 301 moved permanently openresty

pädiatrie hoch2 by ania carolina muntau - Jan 28 2022

web full text full text is available as a scanned copy of the original print version get a printable copy pdf file of the complete article 962k or click on a page image below to browse page by page

kardiyoloji sultanabulhamidhaneah saglik gov tr - Sep 23 2021

pädiatrie hoch2 by ania carolina muntau - Nov 25 2021

web İç hastalıkları dahiliye güncellenme tarihi 02 mayıs 2023 klinik tanıtımı eğitim sorumlusu İdari sorumlu eğitim görevlileri eğitim görevlisi v başasistan uzman

İç hastalıkları dahiliye ministry of health - Oct 25 2021

web dec 9 2021 kardiyoloji güncellenme tarihi 09 aralık 2021 sayfada çalışma yapılmaktadır

download pädiatrie hoch2 pdf z library - Jun 13 2023

web read download pdf pädiatrie hoch2 free update the latest version with high quality try now

pädiatrie hoch zwei medizinerwege dr med thomas - Jun 01 2022

web padiatrie hoch2 padiatrie hoch2 3 downloaded from bespoke cityam com on 2023 06 05 by guest arc of the covenant this is a book you will want to read more than once

pädiatrie hoch2 e book von ania carolina muntau buch - Oct 05 2022

web padiatrie hoch2 at dsewu gregoryscottrobinson pädiatrie hoch2 oscar rothacker bücher amp service klinikleitfaden

pädiatrie de illing stephan ania carolina muntau author of pediatrie padiatrie hoch2 at atry gregoryscottrobinson pädiatrie

grundlagen und praxis set of 2 volumes springer

pädiatrie hoch2 by ania carolina muntau mpp2012 ime uerj - Mar 30 2022

web jan 10 2023 4728469 padiatrie hoch2 1 1 downloaded from subscribe redhanger com on by guest padiatrie hoch2 when people should go to the ebook stores search start by

pädiatrie hoch2 e book 1st edition elsevier - Jul 14 2023

web aug 22 2018 hoch2 die lehrbuch reihe mit dem einzigartigen dozenten studenten konzept mit pädiatrie hoch2 gelingt der einstieg in eins der der beliebtesten klinischen

pädiatrie hoch2 von ania carolina muntau lehmanns de - Mar 10 2023

web hoch2 willkommen bei elseviers hoch2 online portal schalten sie hier ihren pin aus einem unserer hoch2 lehrbücher frei um die inhalte zusätzlich auch online als html5

thieme e books e journals klinische pädiatrie issue - Aug 03 2022

web abstract low grade gliomas lggs constitute the largest yet clinically and molecular histologically heterogeneous group of pediatric brain tumors of who grades i and ii

[pädiatrie hoch2 by ania carolina muntau galileo banyanbotanicals](#) - Sep 04 2022

web full text html pdf 220 kb 290 stäbler tim weigelt annika rottermann kathrin wällisch wolfgang hübner matthias dittrich sven schöffl isabelle cophyd

model un because sleep is overrated model united copy - Feb 13 2022

web this model un because sleep is overrated model united after getting deal so subsequently you require the ebook swiftly you can straight acquire it its fittingly enormously simple and suitably fats isnt it you have to favor to in this freshen sleep disorders and sleep deprivation institute of medicine 2006 10 13 clinical practice

model un because sleep is overrated model united nations - Aug 02 2023

web model un because sleep is overrated model united nations notebook for writing position papers or resolutions journal for hatching plans to change the world by happy place press nice but overrated review of fairmont chicago millennium 11 things you might not know about kitchenaid mixers advanced pressure how to

model un because sleep is overrated model united full pdf - Sep 03 2023

web 2 model un because sleep is overrated model united 2022 06 12 engineers and researchers engaged in physical modeling and laboratory experimentation the first three chapters serve as an introduction to similitude and physical models covering topics such as advantages and disadvantages of physical models

model un because sleep is overrated model united uniport edu - Aug 22 2022

web oct 1 2023 model un because sleep is overrated model united is available in our digital library an online access to it is set as public so you can get it instantly our digital library spans in multiple countries allowing you to get the most less latency time to download any of our books like this one

urban dictionary model un - Mar 17 2022

web 1 gathering of high school or college students who emulate a useless and powerless multi national body to discuss issues that are neither relevant useful or mildly interesting 2 a chance to escape from the mundane flow of a normal school day 3 an opportunity to test corny pickup lines half of which involve teh counrty of djibouti 4

model un because sleep is overrated model united book - Jul 01 2023

web text presents causal inference and generalized linear multilevel models from a simple bayesian perspective that builds on information theory and maximum entropy the core material ranges from the basics of regression to advanced multilevel models it also presents measurement error missing data and gaussian process models for spatial

model un because sleep is overrated model united - Nov 24 2022

web their computer model un because sleep is overrated model united is straightforward in our digital library an online permission to it is set as public thus you can download it instantly our digital library saves in combined countries allowing you to get the most less latency era to download any of our books following this one

c why use usleep and not sleep stack overflow - Apr 17 2022

web mar 17 2017 the sleep function originated in at t unix version 7 the usleep function originated in bsd 4 3 although posix standardizes a mixture of features drawn from both there was a time when you were likely to have only one of the two

available to you with which one that was being a function of your particular flavor of unix

free model un because sleep is overrated model united - May 31 2023

web model un because sleep is overrated model united sleep and society apr 17 2023 exploring the sociological aspects of sleep and their links to current health debates this unique text discusses why sleep has been so neglected in sociological literature and

model un because sleep is overrated model united nations - Dec 26 2022

web mar 27 2019 model un because sleep is overrated model united nations notebook for writing position papers or resolutions journal for hatching plans to change the world press happy place on amazon com free shipping on qualifying offers

model un because sleep is overrated model united pdf - Jun 19 2022

web model un because sleep is overrated model united 2 12 downloaded from uniport edu ng on october 3 2023 by guest economic perspectives document the role of drug companies outline the alternative to drug based solutions identify the urgency and possibility of prevention of madness models of madness promotes a

model un because sleep is overrated model united book - Sep 22 2022

web model un because sleep is overrated model united 3 downloaded from donate pfi org on 2020 12 05 by guest now in paperback a compelling accessible and provocative piece of work that forces us to question many of our assumptions gillian tett author of fool s

model un because sleep is overrated model united download - Apr 29 2023

web model un because sleep is overrated model united generative social science studies in agent based computational modeling jun 05 2022 agent based computational modeling is changing the face of social science this book argues that this powerful technique permits the social sciences to meet an

model un because sleep is overrated model united 2023 - Jan 27 2023

web model un because sleep is overrated model united 3 3 the liberal conversation surrounding women s issues by asking tough and crucial questions such as did women s full equality require the total destruction of the nuclear family did it require a sexual revolution that would dismantle traditions of modesty courtship and

model un because sleep is overrated model united world - Mar 29 2023

web model un because sleep is overrated model united is available in our digital library an online access to it is set as public so you can get it instantly our books collection hosts in multiple countries allowing you to get the most less latency time to download any of our books like this one merely said the model un because sleep is

model un because sleep is overrated model united nations - Oct 04 2023

web model un because sleep is overrated model united nations notebook for writing position papers or resolutions journal for hatching plans to change the world press happy place amazon sg books

model un because sleep is overrated model united - May 19 2022

web yet set within the pages of model un because sleep is overrated model united a interesting fictional prize blinking with natural feelings lies a fantastic quest waiting to be undertaken composed by a talented wordsmith that enchanting opus invites readers on an introspective trip softly

model un because sleep is overrated model united pdf dotnbm - Feb 25 2023

web model un because sleep is overrated model united 1 model un because sleep is overrated model united downloaded from dotnbm com by guest mays moshe title model un because sleep is overrated model united pdf dotnbm com author mays moshe created date 9 5 2023 6 15 28 am

model un because sleep is overrated model united copy - Jul 21 2022

web may 3 2023 model un because sleep is overrated model united 2 6 downloaded from uniport edu ng on may 3 2023 by guest predisposition or biological disturbance international contributors critique the medical model of madness examine the dominance of the illness approach to understanding madness from historical and

model un because sleep is overrated model united - Oct 24 2022

web physical models and laboratory techniques in coastal engineering some chairs broken chairs characteristics and challenges of high achieving second generation nigerian youths in the united states kimball s dairy farmer model un because sleep is overrated model united downloaded from pantera adecco com by guest michael jackson

juguetes los más populares y los más vendidos para los niños - Mar 14 2022

web apr 30 2020 3 1989 game boy creada por la compañía nintendo es una videoconsola portátil que utiliza pilas para funcionar así como cartuchos con una variedad de juegos como tetris pokémon súper

4 540 imágenes gratis de juguetes de niñas pixabay - Aug 19 2022

web 4 540 imágenes gratis de juguetes de niñas imágenes sin regalías contenido para adultos búsqueda segura página siguiente encuentra imágenes de juguetes de niñas sin regalías no es necesario reconocimiento imágenes en alta calidad

lee un libro juguetes 100 imágenes para niños maria ponti de maria - Jun 28 2023

web feb 28 2021 juguetes 100 imágenes para niños maria ponti de maria ponti descripción un viaje para que los papas puedan viajar d detalles del libro name juguetes 100 imágenes para niños maria ponti autor maria ponti categoria libros juvenil arte música y fotografía tamaño del archivo 15 mb

juguetes 100 imágenes para niños maria ponti by maria ponti - Jun 16 2022

web may 15 2023 juguetes 100 imágenes para niños maria ponti 5 octubre 2019 ebook kindle de maria ponti edición kindle

0 00 los suscriptores leen gratis más información 58 35 para prar help discoveram com 3 9

joie Ürün modelleri fiyatları ebebek - Feb 10 2022

web akıllı sıralama en Çok satanlar en düşük fiyata göre en yüksek fiyata göre Çok değerlendirilenler en yüksek İndirim oranına göre en Çok favorilenen 132 adet ürün bulundu joie i trillo lx i size oto koltuğu 15 36 kg 100 150 cm 3 499 00 tl 25

juguetes 100 imágenes para niños maria ponti - Aug 31 2023

web lee ahora en digital con la aplicación gratuita kindle juguetes 100 imágenes para niños maria ponti ebook ponti maria amazon es libros saltar al contenido principal

descarga juguetes 100 imágenes para niños maria ponti de maria - Apr 26 2023

web feb 15 2021 download juguetes 100 imágenes para niños maria ponti de maria ponti libros ebooks juguetes 100 imágenes para niños maria ponti espanol pdf lee ahora descargar juguetes 100 imágenes para niños maria ponti de maria ponti descripción un viaje para que los papas puedan

juguetes 100 imágenes para niños maria ponti by maria ponti - May 16 2022

web juguetes 100 imágenes para niños maria ponti by maria ponti may 7th 2020 15 mar 2019 sgblogosfera maría josé argüeso números guardado por andrea ponti 162 los usuarios adoran estas ideas material de isaac para educacion especial imagenes y sus sombras y memoria para descargar y plastificar ver más pop la maternelle de camille

descargar juguetes 100 imágenes para niños maria ponti de maria - Feb 22 2023

web aug 1 2021 detalles del libro name juguetes 100 imágenes para niños maria ponti autor maria ponti categoria libros juvenil arte música y fotografía tamaño del archivo 8 mb tipos de archivo pdf document descargada 412 times idioma español archivos de estado available lee un libro juguetes 100

juguetes 100 imágenes para niños maria ponti by maria ponti - Nov 21 2022

web juguetes 100 imágenes para niños maria ponti by maria ponti los 8 destinos en los que se inspiró la serie del momento april 29th 2020 para disfrutar de esta ciudad es un must realizar un tour alrededor de la plaza roja una de las vistas más conocidas de la

juguetes 100 imagenes para ninos maria ponti pdf - Mar 26 2023

web 2 juguetes 100 imagenes para ninos maria ponti 2022 01 09 imprescindible para el aprendizaje de los lectores más jóvenes y es una herramienta ideal para la enseñanza de nuevas palabras en dos idiomas entre las páginas hay 100 fotografías en circulación de alimentos animales juguetes y niños reconocerán en sus propias vidas cada

juguetes 100 imágenes para niños maria ponti - Oct 01 2023

web oct 5 2019 juguetes 100 imágenes para niños maria ponti spanish edition kindle edition by ponti maria download it once and read it on your kindle device pc phones or tablets use features like bookmarks note taking and highlighting while

reading juguetes 100 imágenes para niños maria ponti spanish edition

[juguetes 100 imágenes para niños maria ponti by maria ponti](#) - Oct 21 2022

web juguetes 100 imágenes para niños maria ponti by maria ponti juguetes 100 imágenes para niños maria ponti by maria ponti niños mi siglo entre eventos d eventos report venezuela disney y converse se unieron para lanzar unos nuevos tenis pdf guía para el desarrollo de las habilidades motrices los 8 destinos en los que se inspiró la serie del

[juguetes imágenes y fotos 123rf](#) - Apr 14 2022

web tus imágenes juguetes están aquí descarga fotos gratuitas y busca entre nuestras millones de fotos de calidad hd ilustraciones y vectores ayutthaya 25 de julio museo del juguete es una colección de juguetes de clase mundial los juguetes que se exhiben más de 100 años desde 1880 el 25 de julio de 2012 en milliontoymuseum

[juguetes 100 imágenes para niños maria ponti by maria ponti](#) - Dec 23 2022

web juguetes 100 imágenes para niños maria ponti by maria ponti 14 años a sus 16 posó para un catalogo que se llamo onda de mar hacia 1988 realiza un catalogo de trajes de baño para la marca pino pinel realtor pages may 21st 2020 maria ponti juguetes 100 imagenes para ninos maria ponti pdf melody kentworth color by numbers

[juguetes 100 imágenes para niños maria ponti by maria ponti](#) - Jan 24 2023

web juguetes 100 imágenes para niños maria ponti by maria ponti en la ruta la agenda cultural de yaya andueza del 21 08 may 12th 2020 los juguetes atemorizados idean un plan para evitar que ágata logre tirarlos a la basura y para evitar que eso suceda invocan a la malvada malvarias de modo que ella hechice así a la niña y

[gratis juguetes 100 imágenes para niños maria ponti de maria ponti](#) - May 28 2023

web mar 20 2020 gratis juguetes 100 imágenes para niños maria ponti de maria ponti pdf epub mobi gratis download juguetes 100 imágenes para niños maria ponti de maria ponti libros gratis en epub juguetes 100 imágenes para niños maria ponti libro pdf espanol

juguetes 100 imagenes para ninos maria ponti 1 pdf pdf - Jul 18 2022

web juguetes 100 imagenes para ninos maria ponti 1 pdf upload donald c murray 2 17 downloaded from shoe fashion online on october 8 2023 by donald c murray within the philosophical and scientific milieus that preceded the actual invention of photography recent accounts of photography s identity tend to divide between the

[juguetes 100 imágenes para niños maria ponti](#) - Jul 30 2023

web amazon com juguetes 100 imágenes para niños maria ponti spanish edition ebook ponti maria tienda kindle

[juguetes 100 imagenes para ninos maria ponti download only](#) - Sep 19 2022

web we give juguetes 100 imagenes para ninos maria ponti and numerous books collections from fictions to scientific research in any way accompanied by them is this juguetes 100 imagenes para ninos maria ponti that can be your partner

